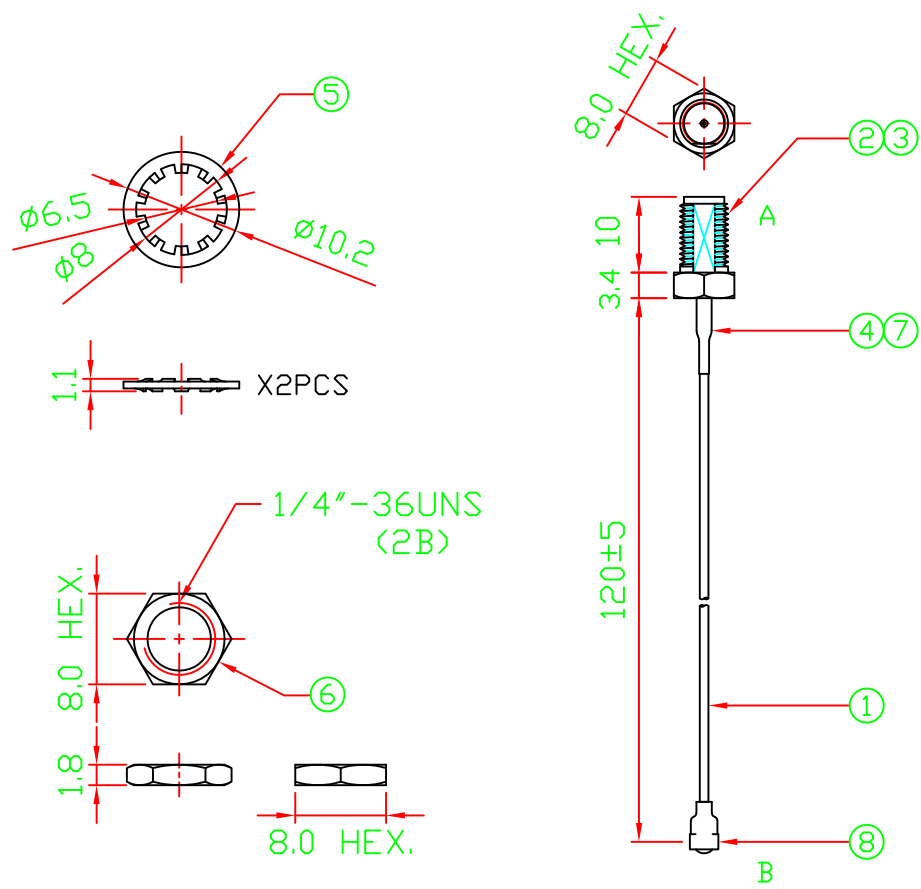


| TOLERANCES: | |
|-------------|-------|
| X | ±1.0 |
| X X | ±0.6 |
| X XX | ±0.2 |
| ANGULAR | ±5.0° |

Signature / Stamp

Customer Approved
 Unofficial Drawing

機構 (技術分類) :
 應用 (業務分類) :
 材質 (生管分類) :



| | | | | | | | |
|----|-------------------------|----|--|--------|-----|------|---------------|
| 8 | MHF Connector | √ | @20278-112R-13 (I-PEX) | Golden | | 1 | or Equivalent |
| 7 | Heat Shrink Tube | √ | @F34 2.0 Black L=10mm | Black | | 1 | or Equivalent |
| 6 | Nut | √ | @028922005 Nut Bulkhead Reverse SMA | Golden | | 1 | or Equivalent |
| 5 | Washer | √ | @028922005 Washer Bulkhead Reverse SMA | Golden | | 2 | or Equivalent |
| 4 | SMA Bulkhead Shaft | √ | @0270B SMA Bulkhead For 1.13 Shaft | Golden | | 1 | or Equivalent |
| 3 | PIN | √ | @0376A-B Male PIN | White | | 1 | or Equivalent |
| 2 | RP-SMA Bulkhead Jack | √ | @0376A RP-SMA Bulkhead Jack-10L For 1.13 | Golden | | 1 | or Equivalent |
| 1 | MINI 1.13 Coaxial Cable | √ | @MINI RG OD:1.13 | Black | 125 | 1 | or Equivalent |
| NO | Material | GM | Description | Color | Dim | Qt'y | Remark |

| | | | | | | |
|--------------|----------|-----------------------|-------|---------|-----------------|--|
| Revise Date: | | Edit Date: 2009/12/11 | | | Customer NUMBER | INCA120L |
| 3rd VIEW | APPROVED | CONFIRM | CHECK | DRAWING | PART NAME | Mini 1.13 Cable Assembly with MHF L120mm |
| UNIT: mm | Kenny | C.S.LIU | Nina | Mandy | PART NUMBER | VEW0477A1 |
| SCALE:FREE | | | | | | |

海外廠成品編號 : T.W 成品編號 : VEW0477A1 文件編號 : FMT-0513-G7 頁次 : 1/1