

SATA DOM D150QV



FEATURES

- Zero mechanical interference
- S.M.A.R.T. & i-S.M.A.R.T. Supported
- Intelligent system for error recovery
- Excellent data transfer speed
- Built-in Pin7 VCC
- Mechanical design for anti-vibration

R: 135MB
W: 130MB

S.M.A.R.T

Wear
Leveling

PIO 0~4
Support

MDMA
UDMA

Power Pin 7
VCC

Specifications

Connector Type	Standard 7 Pin SATA Connector
Flash Type	SLC (Single Level Cell)
Density	2GB, 4GB, 8GB, 16GB, 32GB
Transfer Mode	SATA II, SATA I, PIO 0~4, MDMA 0~2, UDMA 0~6
Sustained R/W Performance	Read : 135 MB/sec (max.) Write: 130 MB/sec (max.)

Environmental

DC Input	+5V DC \pm 5%
Power consumption (Max.)	Read: 180 mA Write: 200 mA Idle: 110 mA
Operating Temperature	0°C ~ +70°C (Standard Grade) -40 ~ +85°C (Industrial Grade)
Storage Temperature	-55°C ~ +95°C
Humidity	Relative Humidity: 10-95%, non-condensing
Flash Endurance	100,000 program/erase cycles
MTBF	> 4,000,000 hours
Certification	CE, FCC, RoHS
Warranty	5 years

Special Features

Security	Write Protection
Pin7 VCC	Supported (Refer to the following page)

Mechanicals

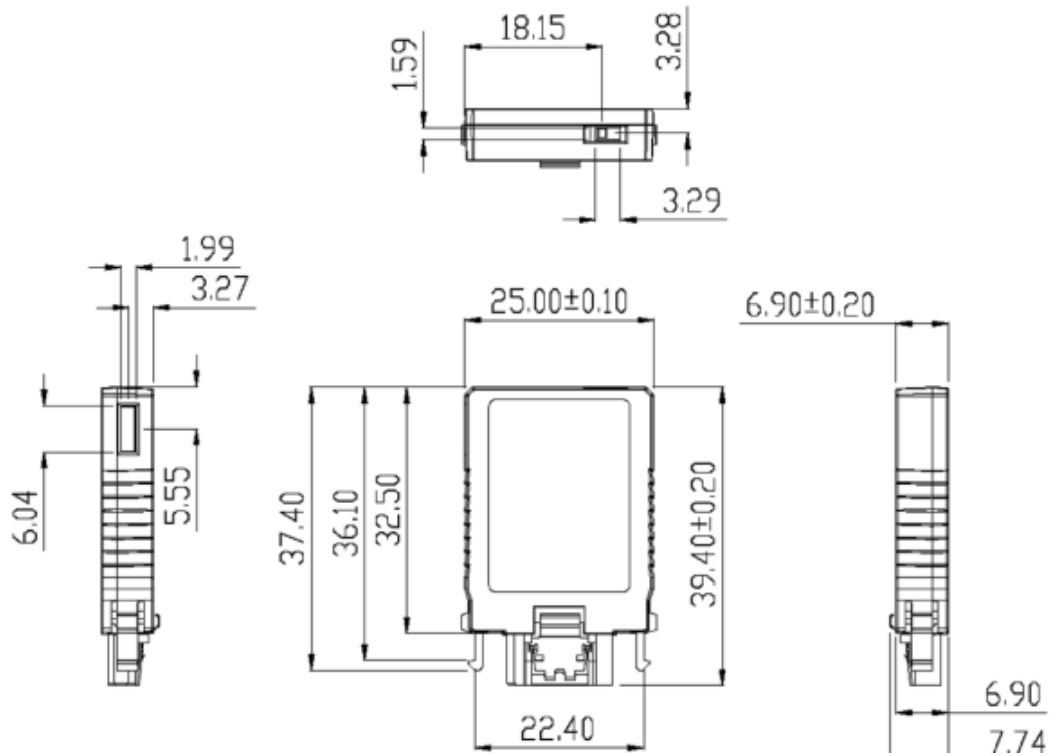
Dimension (W x L x H)	25mm x 39.4mm x 7.74mm
Weight	8g \pm 1g
Vibration	7 Hz to 2K Hz, 3 axes
Shock	Duration: 0.5ms, 1500G, 3 axes

Health monitoring Tool

S.M.A.R.T.	Supported
i-S.M.A.R.T.	Supported (Utility for Windows, Linux)

*DESI: HOOK , DESIH: No Hook.

Mechanical Dimension



SATADOM D150QV mechanical dimensions
 (* Tolerance is ±0.1 mm)

Pin7 VCC Advantages

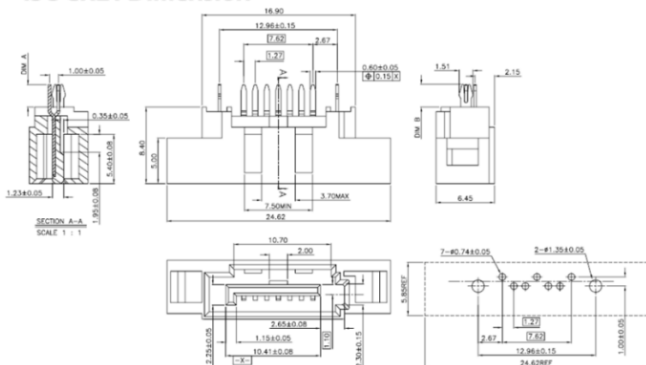
1. Customers **DO NOT** have to use the power cable for the severe condition.
2. Pin7 VCC can cost down the manufactured charge.
3. Followed by our suggested circuit, you can increase the options for SATA device, no matter for InnoDisk SATADOM or other DOM

*SATADOM D150QH with Pin7 VCC is designed with a fuse (polyswitch500mA, 6V) on Pin7's circuit

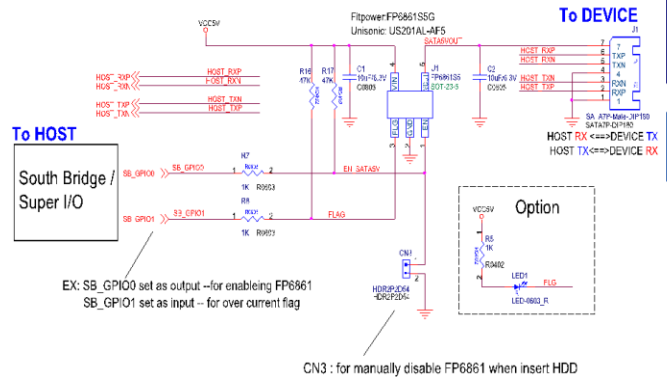
Recommendation for Pin7 VCC

InnoDisk suggests that customers **MUST** design their board with a fuse to prevent over current. In other words, customers are suggested **NOT** "directly" layout 5V VCC to SATA socket on board. Therefore, we strongly suggest our below circuit to protect MB or device, either by using "POWER SWITH" or "JUMPER+FUSE".

iSOCKET Dimension



Pin7VCC MB Reference Circuit Design



iSOCKET Advantages

1. iSOCKET can be increased the options for SATA device, no matter for InnoDisk SATADOM or other SATA devices.
2. iSOCKET can be applied in the high vibration environment.

DESIGN • SERVICE • QUALITY • DELIVERY