



Document Title	HSD043I9W1-A Preliminary Specification	Page No.	1/26
Document No.	DC010-000919	Revision	1.0

TO :

Date : Nov., 12, 2008

HannStar Product Specification **(Preliminary)**

4.3” Color TFT-LCD Module

Model : HSD043I9W1-A**

Note:

1. Please contact HannStar Display Corp. before designing your product based on this module specification.
2. The information contained herein is presented merely to indicate the characteristics and performance of our products. No responsibility is assumed by HannStar for any intellectual property claims or other problems that may result from application based on the module described herein.
3. The mark “**” of Model means sub-model code.



Document Title	HSD043I9W1-A Preliminary Specification	Page No.	2/26
Document No.	DC010-000919	Revision	1.0

Record of Revisions

Rev.	Date	Sub-Model	Description of change
1.0	Nov, , 2008	- - - - - -	Preliminary Product Specification was first released.



Document Title	HSD043I9W1-A Preliminary Specification	Page No.	3/26
Document No.	DC010-000919	Revision	1.0

Contents

1.0	General description	p.4
2.0	Absolute maximum ratings	p.5
3.0	Optical characteristics	p.6
4.0	Block diagram	p.10
5.0	Interface pin connection	p.11
6.0	Electrical characteristics	p.13
7.0	Reliability test items.....	p.21
8.0	Outline dimension	p.22
9.0	Lot mark	p.23
10.0	Package specification	p.24
11.0	General precaution	p.25

Document Title	HSD043I9W1-A Preliminary Specification	Page No.	4/26
Document No.	DC010-000919	Revision	1.0

1.0 GENERAL DESCRIPTION

1.1 Introduction

HannStar Display model HSD043I9W1-A is a color active matrix thin film transistor (TFT) liquid crystal display (LCD) that uses amorphous silicon TFT as a switching device. This model is composed of a TFT LCD panel, a driving circuit and a back light system. This TFT LCD has a 4.3 (16:9) inch diagonally measured active display area with WQVGA (480 horizontal by 272 vertical pixel) resolution.

1.2 Features

- 4.3 (16:9 diagonal) inch configuration
- 8-bit driver with parallel RGB 24-bit
- RoHS and Halogen-Free Compliance

1.3 Applications

- Personal Navigation Device
- Multimedia applications and Others AV system

1.4 General information

Item	Specification	Unit
Outline Dimension	105.5 x 67.2 x 2.9 (Typ.)	mm
Display area	95.04(H) x 53.856(V)	mm
Number of Pixel	480 RGB (H) x 272(V)	pixels
Pixel pitch	0.198(H) x 0.198(V)	mm
Pixel arrangement	RGB Vertical stripe	
Display mode	Normally white	
Surface treatment	Antiglare, Hard-Coating (3H)	
Weight	(50)(Typ.)	g
Back-light	LED Side-light type	
Power Consumption	Logic System	(0.9) (Typ.)
	B/L System	(0.792) (Typ.)
		W

1.5 Mechanical Information

Item	Min.	Typ.	Max.	Unit	
Module Size	Horizontal(H)	105	105.5	106	mm
	Vertical(V)	66.7	67.2	67.7	mm
	Depth(D)	---	2.9	3.2	mm
Weight (Without inverter)	---	(50)	---	g	

Document Title	HSD043I9W1-A Preliminary Specification	Page No.	5/26
Document No.	DC010-000919	Revision	1.0

2.0 ABSOLUTE MAXIMUM RATINGS

2.1 Electrical Absolute Rating

2.1.1 TFT LCD Module

Item	Symbol	Min.	Max.	Unit	Note
Power supply voltage	VDD	-0.3	5	V	GND=0
Logic Signal Input Level	V _i	-0.3	5	V	

2.1.2 Back-Light Unit

Item	Symbol	Typ.	Max.	Unit	Note
LED current	I _L	40	-	mA	(1)(2)(3)
LED voltage	V _L	19.8	-	V	(1)(2)(3)

Note

- (1) Permanent damage may occur to the LCD module if beyond this specification. Functional operation should be restricted to the conditions described under normal operating conditions.
- (2) Ta =25±2°C
- (3) Test Condition: LED current 40 mA. The LED lifetime could be decreased if operating IL is larger than 40mA.

2.2 Environment Absolute Rating

Item	Symbol	Min.	Max.	Unit	Note
Operating Temperature	T _{opa}	-20	70	°C	
Storage Temperature	T _{stg}	-30	80	°C	

Document Title	HSD043I9W1-A Preliminary Specification	Page No.	6/26
Document No.	DC010-000919	Revision	1.0

3.0 OPTICAL CHARACTERISTICS

3.1 Optical specification

Item	Symbol	Condition	Min.	Typ.	Max.	Unit	Note	
Contrast	CR	Normal viewing angle	(500)	(600)	—		(1)(2)	
Response time	Rising		T_R	—	(2)		msec	(1)(3)
	Falling		T_F	—	(6)			
White luminance (Center)	Y_L			(450)	(500)	—	cd/m ²	(1)(4)(7) ($I_L=40mA$)
Color chromaticity (CIE1931)	White		W_x	(0.260)	(0.310)	(0.360)		(1)(4)
		W_y	(0.280)	(0.330)	(0.380)			
Viewing angle	Hor.	θ_L	(65)	(75)	—			
		θ_R	(65)	(75)	—			
	Ver.	θ_U	(50)	(60)	—			
		θ_D	(60)	(70)	—			
Brightness uniformity	B_{UNI}	$\theta=0$	70	—	—	%	(5)(7)	
Optima View Direction	6 O' clock						(6)	

3.2 Measuring Condition

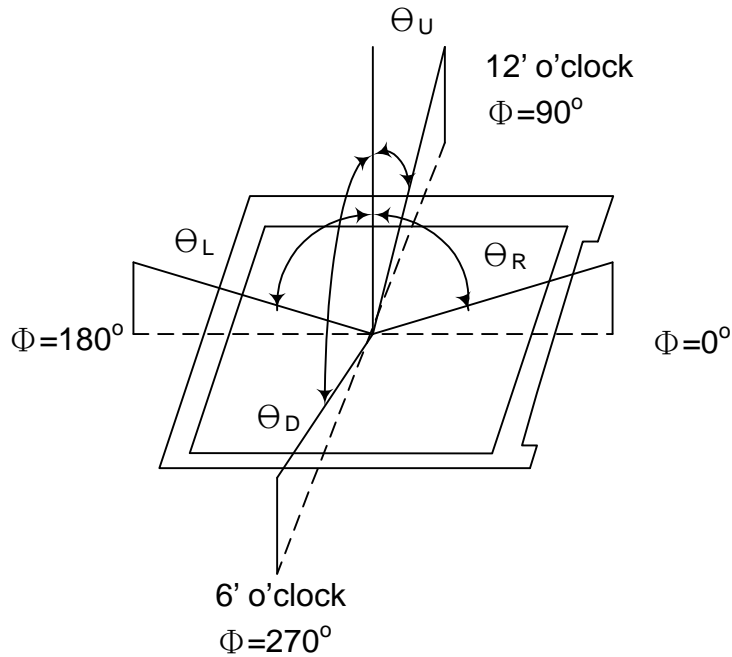
- Measuring surrounding : dark room
- LED current I_L : 40mA
- Ambient temperature : 25±2°C
- 15min. warm-up time.

3.3 Measuring Equipment

- FPM520 of Westar Display technologies, INC., which utilized SR-3 for Chromaticity and BM-5A for other optical characteristics.
- Measuring spot size : 20 ~ 21 m

Document Title	HSD043I9W1-A Preliminary Specification	Page No.	7/26
Document No.	DC010-000919	Revision	1.0

Note (1) Definition of Viewing Angle :

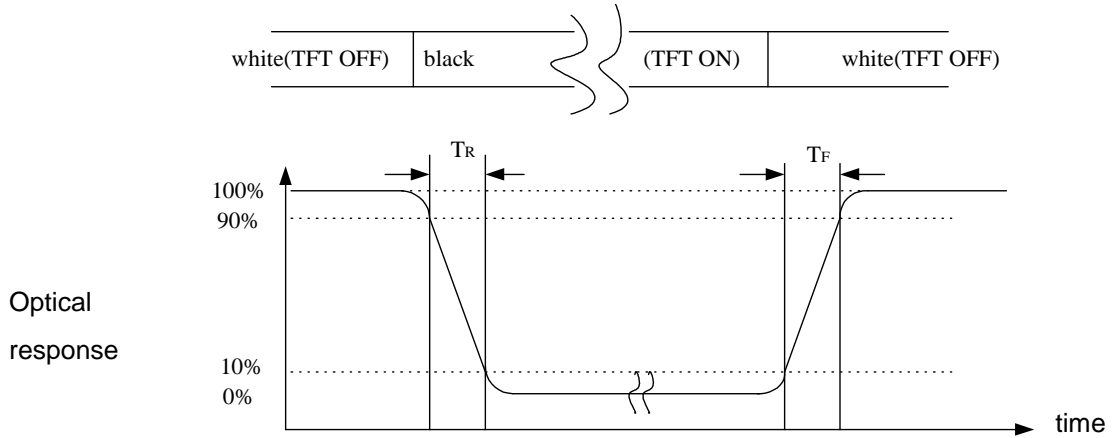


Note (2) Definition of Contrast Ratio(CR) :
measured at the center point of panel

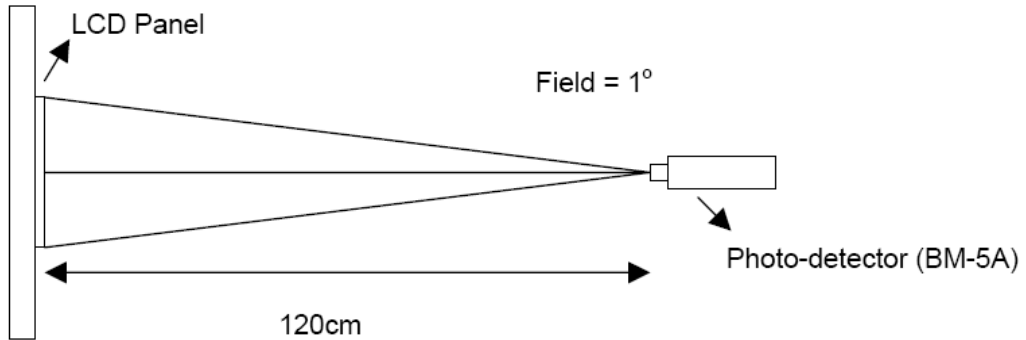
$$CR = \frac{\text{Luminance with all pixels white}}{\text{Luminance with all pixels black}}$$

Document Title	HSD043I9W1-A Preliminary Specification	Page No.	8/26
Document No.	DC010-000919	Revision	1.0

Note (3) Definition of Response Time : Sum of T_R and T_F

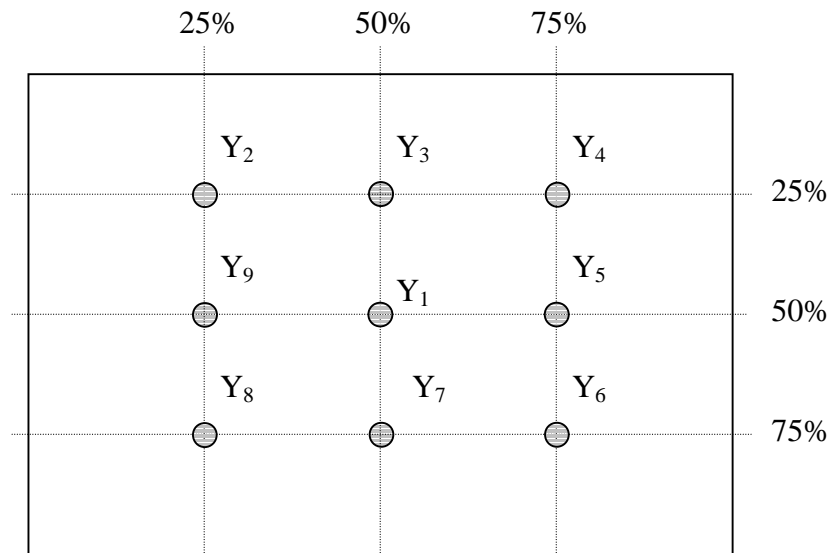


Note (4) Definition of optical measurement setup



Document Title	HSD043I9W1-A Preliminary Specification	Page No.	9/26
Document No.	DC010-000919	Revision	1.0

Note (5) Definition of brightness uniformity



(Min Luminance of 9 points)

$$\text{Luminance uniformity} = \frac{\text{(Min Luminance of 9 points)}}{\text{(Max Luminance of 9 points)}} \times 100\%$$

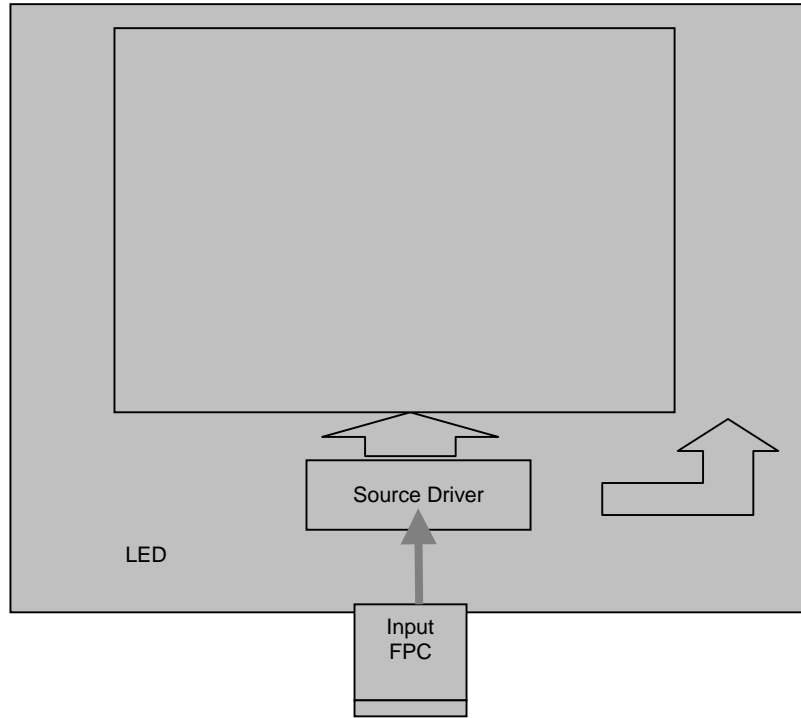
Note (6) Rubbing Direction (The different Rubbing Direction will cause the different optima view direction.)

Note (7) Measured at the brightness of the panel when all terminals of LCD panel are electrically open.

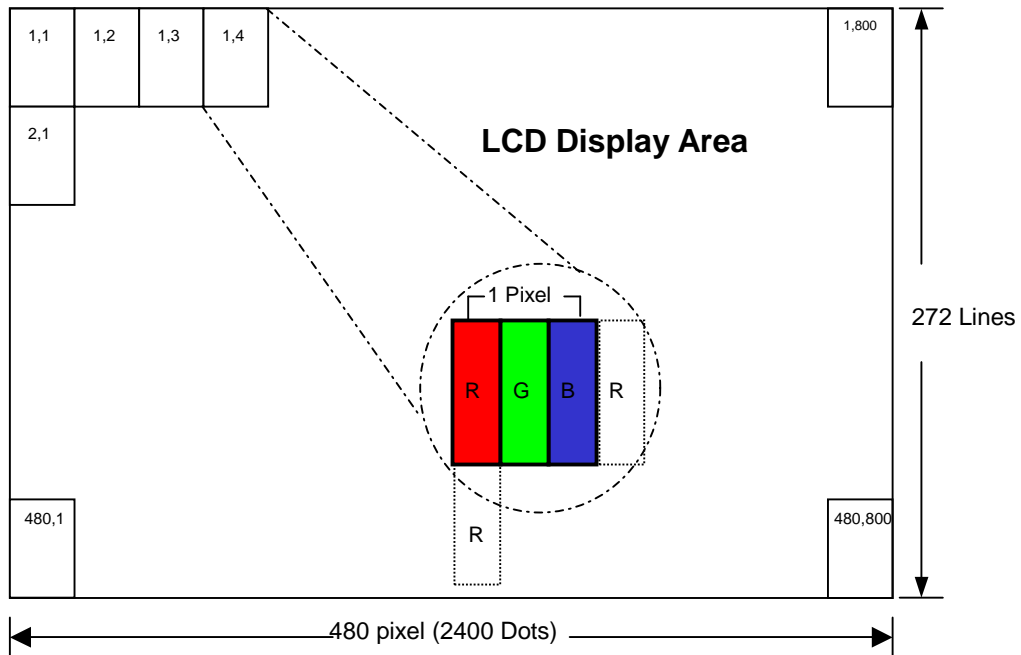
Document Title	HSD043I9W1-A Preliminary Specification	Page No.	10/26
Document No.	DC010-000919	Revision	1.0

4.0 BLOCK DIAGRAM

4.1 TFT LCD Module



4.2 Pixel Format



Document Title	HSD043I9W1-A Preliminary Specification	Page No.	11/26
Document No.	DC010-000919	Revision	1.0

5.0 INTERFACE PIN CONNECTION

5.1 TFT LCD Module

CN2 (Input signal):

FPC Down Connector, (FH19SC-40S-0.5SH (HIROSE or equivalent), 60pin, pitch = 0.5mm)

Terminal no.	Symbol	I/O	Function
1	V _{LED-}	P	Power for LED Backlight Cathode
2	V _{LED+}	P	Power for LED Backlight Anode
3	GND	P	Power Ground
4	V _{DD}	P	Power Voltage
5	R0	I	Red Data (LSB)
6	R1	I	Red Data
7	R2	I	Red Data
8	R3	I	Red Data
9	R4	I	Red Data
10	R5	I	Red Data
11	R6	I	Red Data
12	R7	I	Red Data (MSB)
13	G0	I	Green Data (LSB)
14	G1	I	Green Data
15	G2	I	Green Data
16	G3	I	Green Data
17	G4	I	Green Data
18	G5	I	Green Data
19	G6	I	Green Data
20	G7	I	Green Data (MSB)
21	B0	I	Blue Data (LSB)
22	B1	I	Blue Data
23	B2	I	Blue Data
24	B3	I	Blue Data
25	B4	I	Blue Data
26	B5	I	Blue Data
27	B6	I	Blue Data
28	B7	I	Blue Data (MSB)
29	GND	P	Power Ground
30	DCLK	I	Pixel Clock
31	DISP	I	Display On/ Off
32	HSYNC	I	Horizontal Sync Signal
33	VSYNC	I	Vertical Sync Signal
34	DE	I	Data Enable

Document Title	HSD043I9W1-A Preliminary Specification	Page No.	12/26
Document No.	DC010-000919	Revision	1.0

Terminal no.	Symbol	I/O	Function
35	PSSEL	I	Parallel 24-bit and Serial 8-bit data input selection. PSSEL="H", Parallel 24-bit RGB data input.(default) PSSEL="L", Serial 8-bit RGB data input.
36	GND	P	Power Ground
37	X_R	I/O	Right Electrode- Differential Analog
38	Y_B	I/O	Bottom Electrode- Differential Analog
39	X_L	I/O	Left Electrode- Differential Analog
40	Y_T	I/O	Top Electrode- Differential Analog

6.0 ELECTRICAL CHARACTERISTICS

6.1 TFT LCD Module

Item	Symbol	Min.	Typ.	Max.	Unit	Note
Supply Voltage	Vdd	3.0	3.3	3.6	V	
Input signal voltage	V _{iH}	0.7 Vdd	-	Vdd	V	Note (1)
	V _{iL}	0	-	0.3 Vdd	V	
Current of power supply	I _{cc}	-	(TBD)	-	mA	Vdd = 3.3V

Note (1): HSYNC , VSYNC , DE , Digital Data

Note (2): Be sure to apply the power voltage as the power sequence spec.

Note (3): DGND=AGND=0V

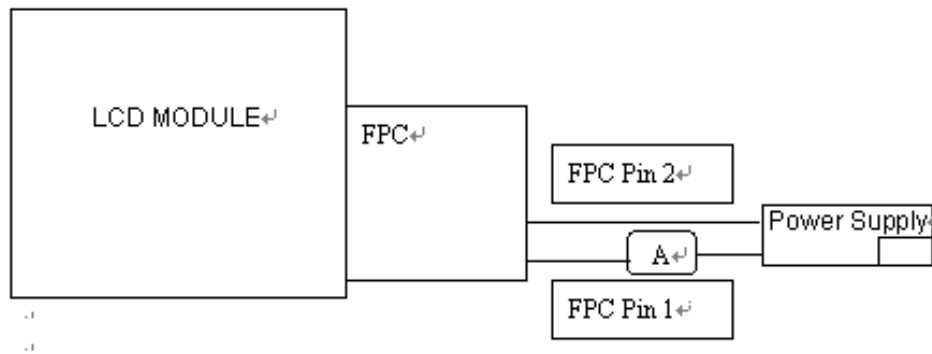
Document Title	HSD043I9W1-A Preliminary Specification	Page No.	13/26
Document No.	DC010-000919	Revision	1.0

6.2 Back-Light Unit

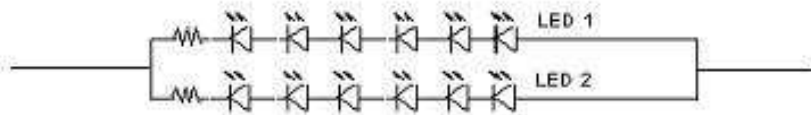
The back-light system is an edge-lighting type with 12 LED.

The characteristics of the LED is shown in the following tables.

Item	Symbol	Min.	Typ.	Max.	Unit	Note
LED current	IL	-	40	-	mA	(2)
LED voltage	VL	-	19.8	-	V	
Operating LED life time	Hr	20000	—	—	Hour	(1)(2)



- Note (1) LED life time (Hr) can be defined as the time in which it continues to operate under the condition: $T_a=25\pm3\text{ }^\circ\text{C}$, typical IL value indicated in the above table until the brightness becomes less than 50%.
- Note (2) The "LED life time" is defined as the module brightness decrease to 50% original brightness at $T_a=25^\circ\text{C}$ and $I_L=40\text{mA}$. The LED lifetime could be decreased if operating I_L is larger than 40mA. The constant current driving method is suggested.

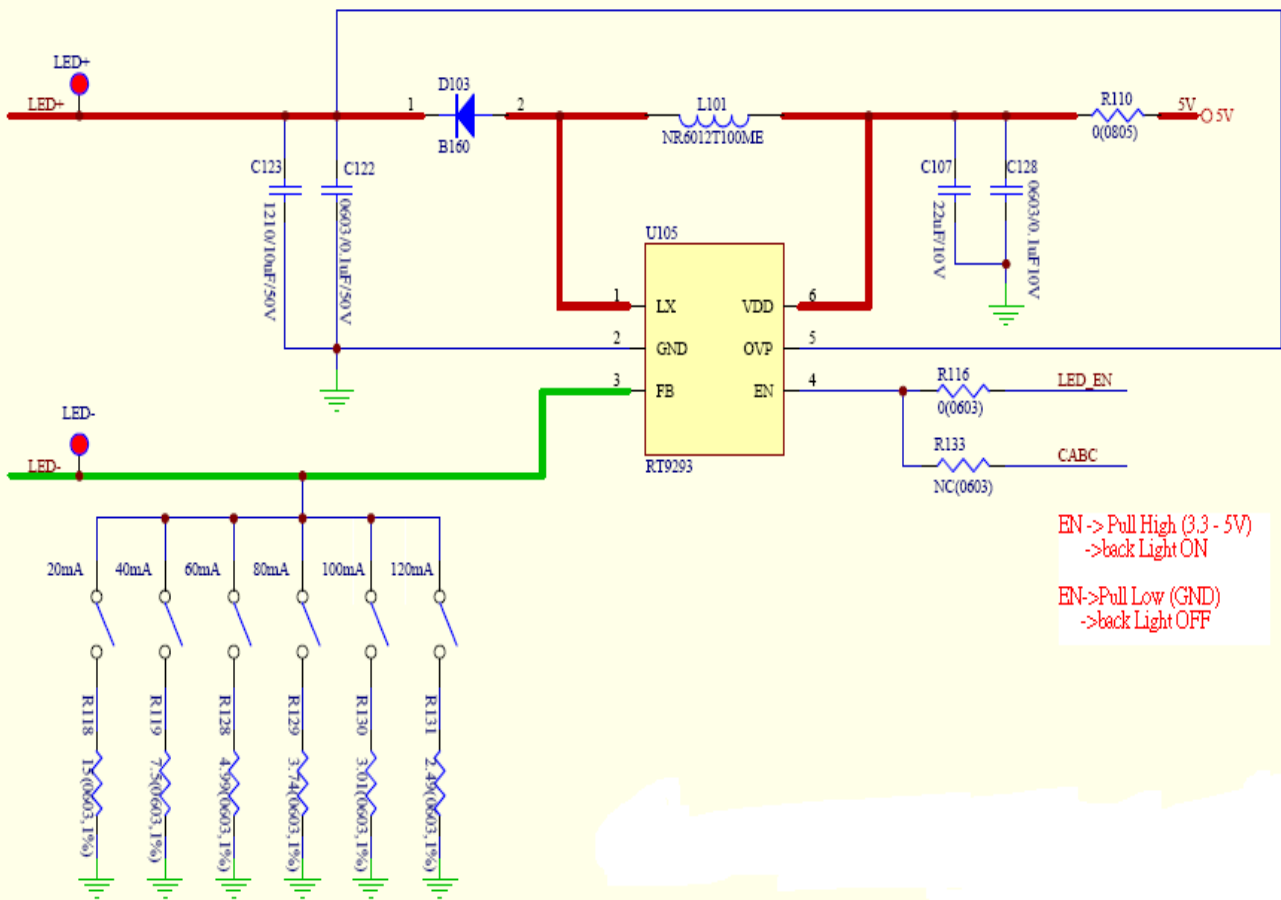


LED Light Bar Circuit

Document Title	HSD043I9W1-A Preliminary Specification	Page No.	14/26
Document No.	DC010-000919	Revision	1.0

Note (3) Suggested Schematic of LED Back-Light Driver

Suggested Schematic of LED Back-Light Driver



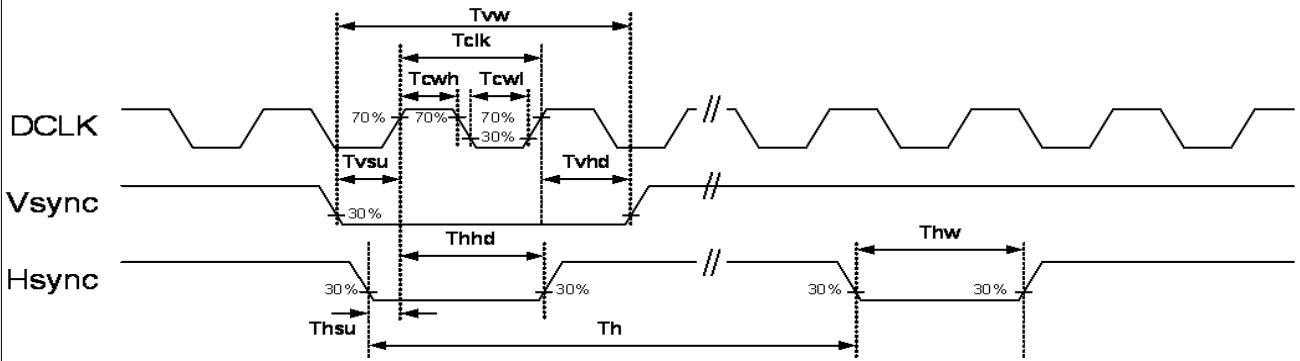
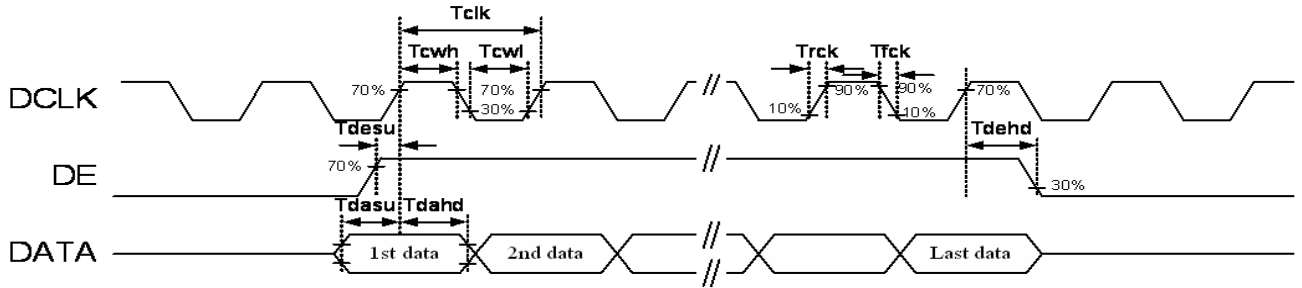
Document Title	HSD043I9W1-A Preliminary Specification	Page No.	15/26
Document No.	DC010-000919	Revision	1.0

6.3 AC Characteristics

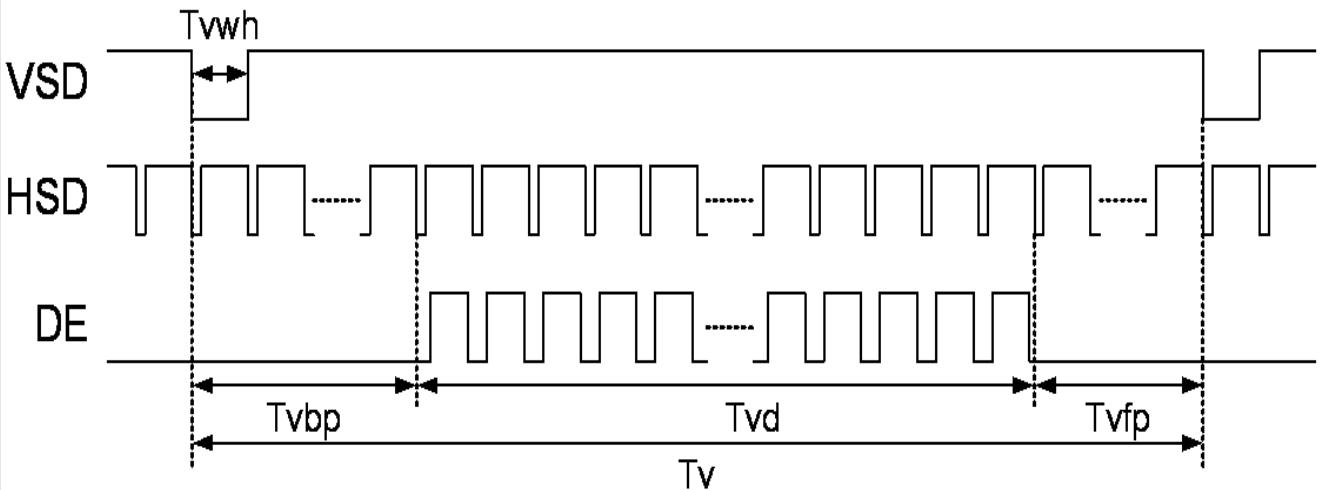
Item	Symbol	Min.	Typ.	Max.	Unit	Note
DCLK cycle time	Tcph	83	110	200	ns	
DCLK frequency	fclk	5	9	12	MHz	
DCLK pulse duty	Tcwh	40	50	60	%	
VSD setup time	Tvst	12			ns	
VSD hold time	Tvhd	12			ns	
HSD setup time	Thst	12			ns	
HSD hold time	Thhd	12			ns	
Data setup time	Tdsu	12			ns	
Data hold time	Tdhd	12			ns	
DE setup time	Tesu	12			ns	
DE hold time	Tehd	12			ns	
Horizontal display area	thd		480		Dclk	
HSD period time	th	520	525	800	Dclk	
HSD pulse width	thpw	2	41		Dclk	
HSD back porch	thb	2	-		Dclk	
HSD front porch	thfp	2	-		Dclk	
Vertical display area	tvd		272		H	
VSD period time	tv	277	288	400	H	
VSD pulse width	tvpw	2	10		H	
VSD back porch	tvb	2	2		H	
VSD front porch	tvfp	2	2		H	

Document Title	HSD043I9W1-A Preliminary Specification	Page No.	16/26
Document No.	DC010-000919	Revision	1.0

6.4 Timing Diagram of Interface Signal



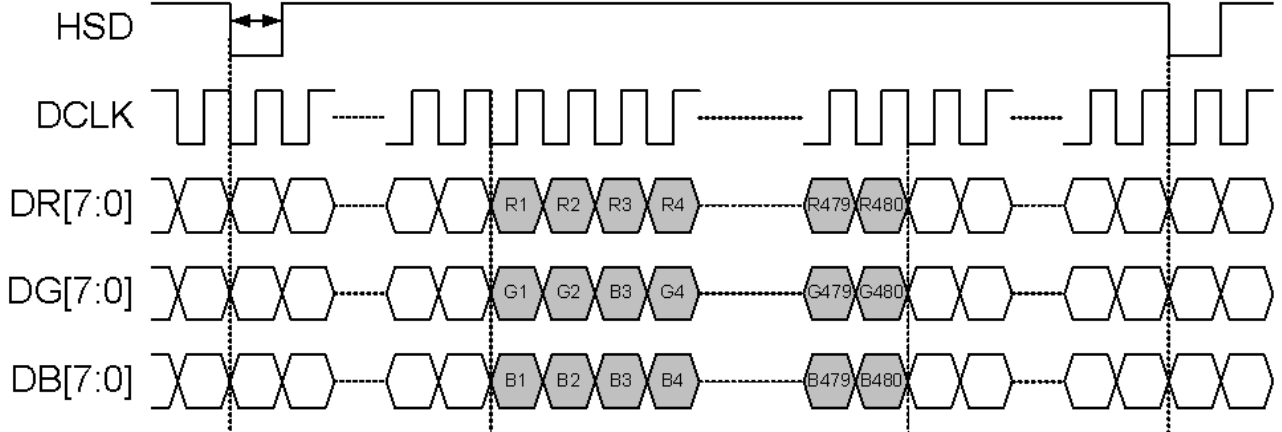
Sampling clock timing



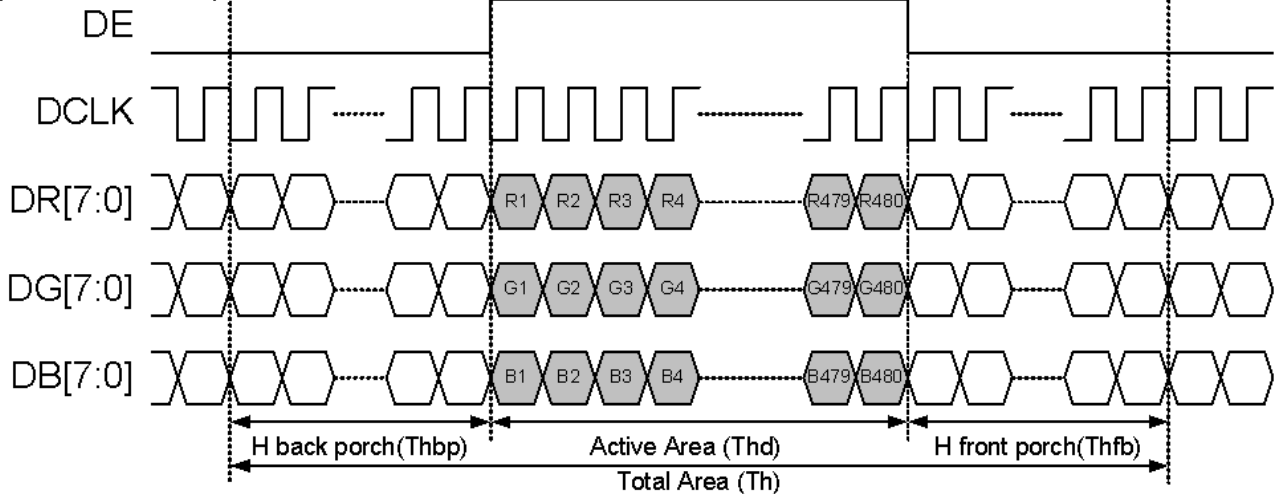
Vertical display timing

Document Title	HSD043I9W1-A Preliminary Specification	Page No.	17/26
Document No.	DC010-000919	Revision	1.0

(HV Mode) T_{hwh}



(DE Mode)

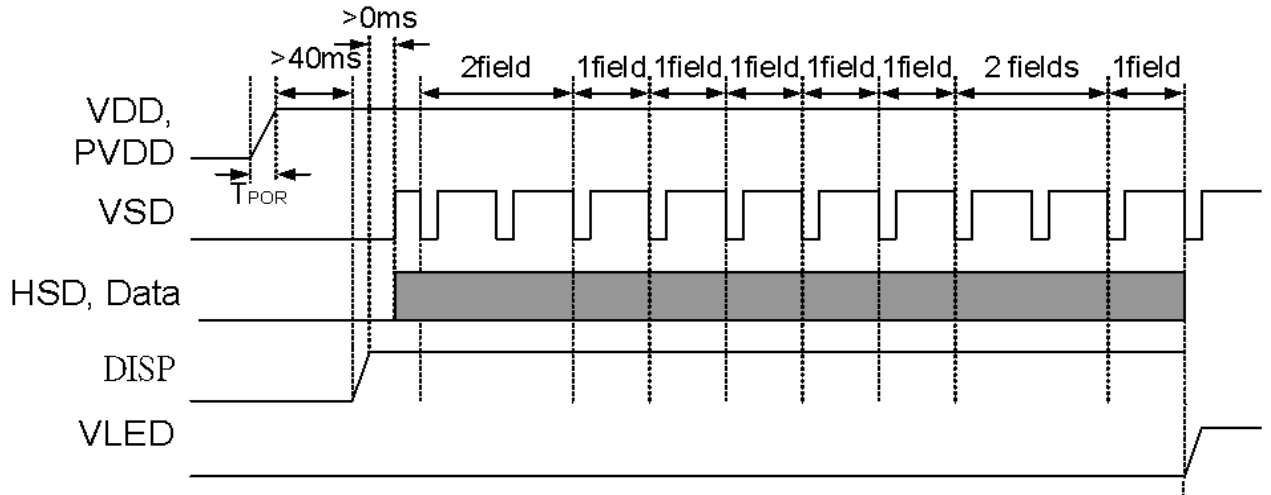


Parallel Mode Horizontal display timing

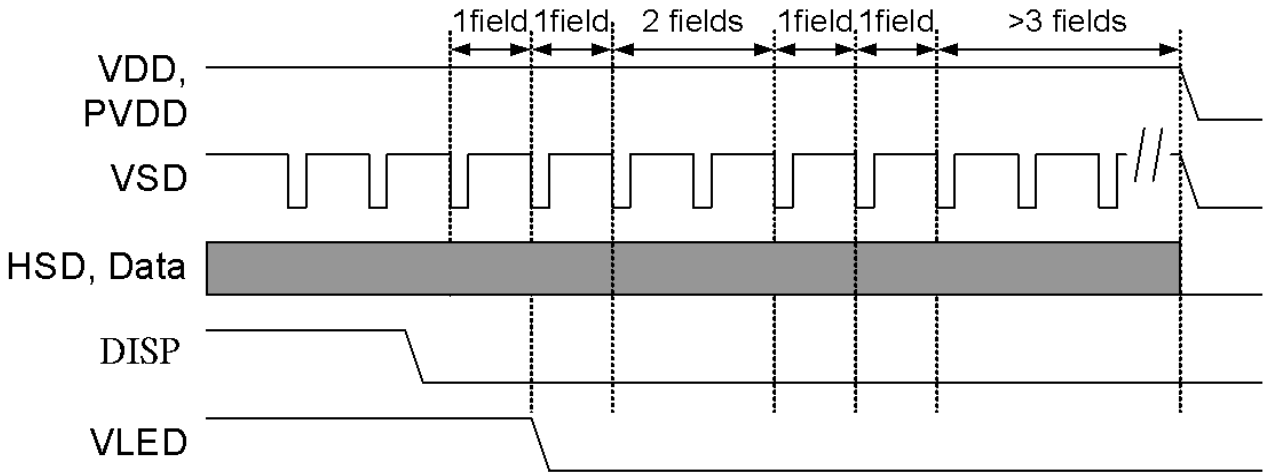
(DE Mode only)

Document Title	HSD043I9W1-A Preliminary Specification	Page No.	18/26
Document No.	DC010-000919	Revision	1.0

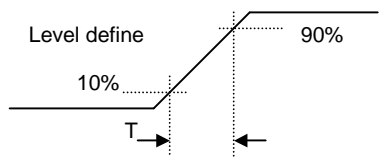
6.5 Power Sequence



Power On sequence



Power Off sequence



Power On Sequence: VDD-> Display ON-> Data -> B/L
 Power Off Sequence: Display Off-> B/L-> Data -> VDD
 Notes: Data include R0~R7, G0~G7, B0~B7, HSD, VSD, CLK, DE

Document Title	HSD043I9W1-A Preliminary Specification	Page No.	19/26
Document No.	DC010-000919	Revision	1.0

7.0 Reliability test items

No.	Item	Conditions	Remark
1	High Temperature Storage	Ta=+80°C, 240hrs	
2	Low Temperature Storage	Ta=-30°C, 240hrs	
3	High Temperature Operation	Ta=+70°C, 240hrs	
4	Low Temperature Operation	Ta=-20°C, 240hrs	
5	High Temperature and High Humidity (operation)	Ta=+60°C, 90%RH, 240hrs	
6	Thermal Cycling Test (non operation)	-30°C(30min) → +80°C(30min), 200cycles	
7	Electrostatic Discharge	±200V,200pF(0Ω) 1 time/each terminal	
8	Vibration	1.Random: 1.04Grms, 5~500Hz, X/Y/Z, 30min/each direction 2. Sine: Freq. Range: 8~33.3Hz Stoke: 1.3mm Sweep: 2.9G, 33.3~400Hz X/Z: 2hr, Y: 4hr, cyc: 15min	
9	Shock	100G, 6ms, ±X, ±Y, ±Z 3 time for each direction	JIS C7021, A-10 (Condition A)
10	Vibration (with carton)	Random: 0.015G ² /Hz, 5~200Hz -6dB/Octave, 200~400Hz XYZ each direction: 2hr	
11	Drop (with carton)	Height: 60cm 1 corner, 3 edges, 6 surfaces	JIS Z0202

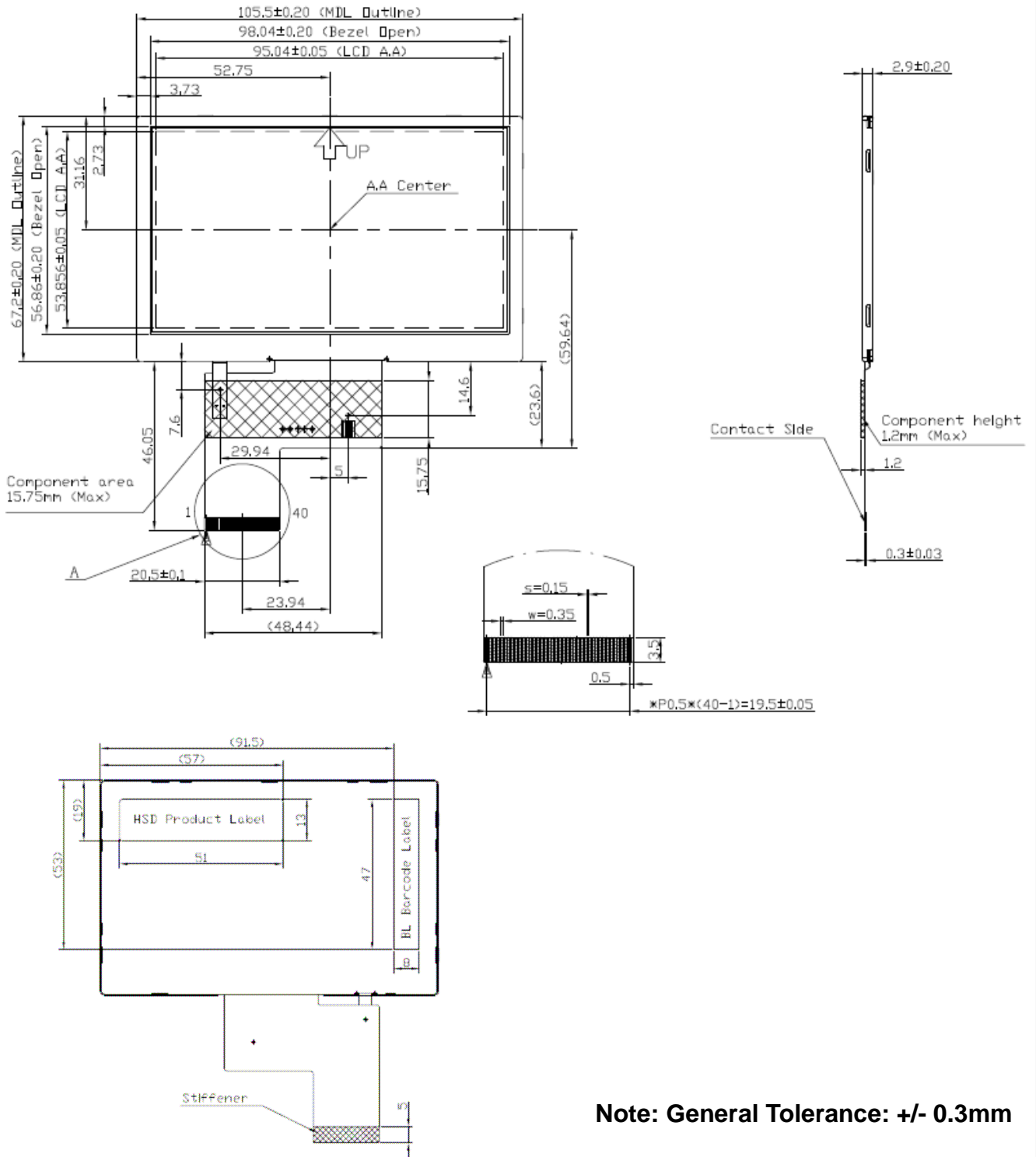
Note: There is no display function NG issue occurred, all the cosmetic specification is judged before the reliability stress.

Document Title	HSD043I9W1-A Preliminary Specification	Page No.	20/26
Document No.	DC010-000919	Revision	1.0

8.0 OUTLINE DIMENSION

8.1 Outline Dimension

Unit: mm



Note: General Tolerance: +/- 0.3mm

Document Title	HSD043I9W1-A Preliminary Specification	Page No.	21/26
Document No.	DC010-000919	Revision	1.0

9.0 LOT MARK

9.1 Lot Mark



code 1,2,3,4,5,6: HannStar internal flow control code.

code 7: production location.

code 8: production year.

code 9: production month.

code 10,11,12,13,14,15: serial number.

Note (1) Production Year

Year	2001	2002	2003	2004	2005	2006	2007	2008	2009	2010
Mark	1	2	3	4	5	6	7	8	9	A

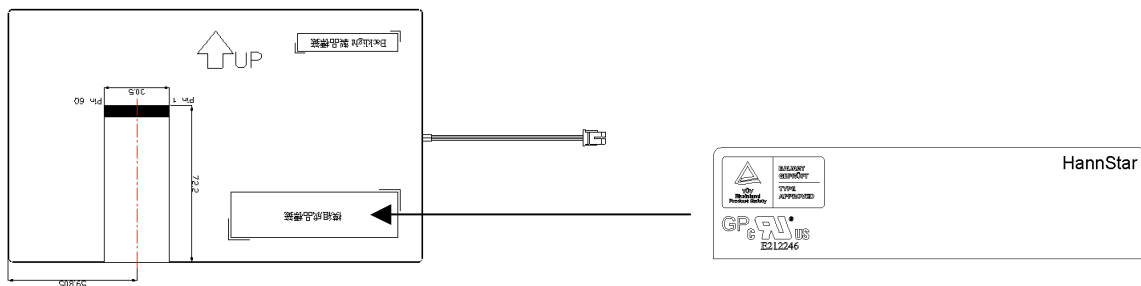
Note (2) Production Month

Month	Jan.	Feb.	Mar.	Apr.	May.	Jun.	Jul.	Aug.	Sep.	Oct	Nov.	Dec.
Mark	1	2	3	4	5	6	7	8	9	A	B	C

9.2 Location of Lot Mark

(1) The label is attached to the backside of the LCD module.

(2) This is subject to change without prior notice.





Document Title	HSD043I9W1-A Preliminary Specification	Page No.	22/26
Document No.	DC010-000919	Revision	1.0

10.0 PACKAGE SPECIFICATION

10.1 Packing form (TBD)

10.2 Packing assembly drawings (TBD)



Document Title	HSD043I9W1-A Preliminary Specification	Page No.	23/26
Document No.	DC010-000919	Revision	1.0

11.0 GENERAL PRECAUTION

11.1 Use Restriction

This product is not authorized for use in life supporting systems, aircraft navigation control systems, military systems and any other application where performance failure could be life-threatening or otherwise catastrophic.

11.2 Disassembling or Modification

Do not disassemble or modify the module. It may damage sensitive parts inside LCD module, and may cause scratches or dust on the display. HannStar does not warrant the module, if customers disassemble or modify the module.

11.3 Breakage of LCD Panel

- 11.3.1. If LCD panel is broken and liquid crystal spills out, do not ingest or inhale liquid crystal, and do not contact liquid crystal with skin.
- 11.3.2. If liquid crystal contacts mouth or eyes, rinse out with water immediately.
- 11.3.3. If liquid crystal contacts skin or cloths, wash it off immediately with alcohol and rinse thoroughly with water.
- 11.3.4. Handle carefully with chips of glass that may cause injury, when the glass is broken.

11.4 Electric Shock

- 11.4.1. Disconnect power supply before handling LCD module.
- 11.4.2. Do not pull or fold the LED cable.
- 11.4.3. Do not touch the parts inside LCD modules and the fluorescent LED's connector or cables in order to prevent electric shock.

11.5 Absolute Maximum Ratings and Power Protection Circuit

- 11.5.1. Do not exceed the absolute maximum rating values, such as the supply voltage variation, input voltage variation, variation in parts' parameters, environmental temperature, etc., otherwise LCD module may be damaged.
- 11.5.2. Please do not leave LCD module in the environment of high humidity and high temperature for a long time.
- 11.5.3. It's recommended to employ protection circuit for power supply.

11.6 Operation

- 11.6.1 Do not touch, push or rub the polarizer with anything harder than HB pencil lead.
- 11.6.2 Use fingerstalls of soft gloves in order to keep clean display quality, when persons handle the LCD module for incoming inspection or assembly.
- 11.6.3 When the surface is dusty, please wipe gently with absorbent cotton or other soft material.



Document Title	HSD043I9W1-A Preliminary Specification	Page No.	24/26
Document No.	DC010-000919	Revision	1.0

11.6.4 Wipe off saliva or water drops as soon as possible. If saliva or water drops contact with polarizer for a long time, they may causes deformation or color fading.

11.6.5 When cleaning the adhesives, please use absorbent cotton wetted with a little petroleum benzine or other adequate solvent.

11.7 Mechanism

Please mount LCD module by using mounting holes arranged in four corners tightly.

11.8 Static Electricity

11.8.1 Protection film must remove very slowly from the surface of LCD module to prevent from electrostatic occurrence.

11.8.2. Because LCD module use CMOS-IC on circuit board and TFT-LCD panel, it is very weak to electrostatic discharge. Please be careful with electrostatic discharge. Persons who handle the module should be grounded through adequate methods.

11.9 Strong Light Exposure

The module shall not be exposed under strong light such as direct sunlight. Otherwise, display characteristics may be changed.

11.10 Disposal

When disposing LCD module, obey the local environmental regulations.