



12-Jan-09

150~180W AC-DC Single Output Desk Top Type

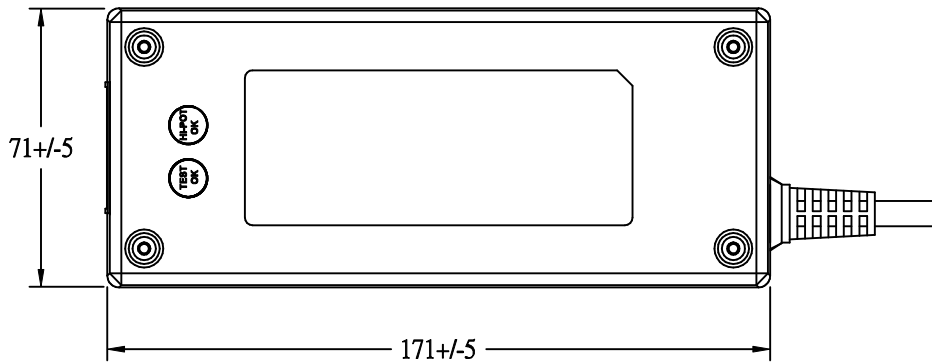
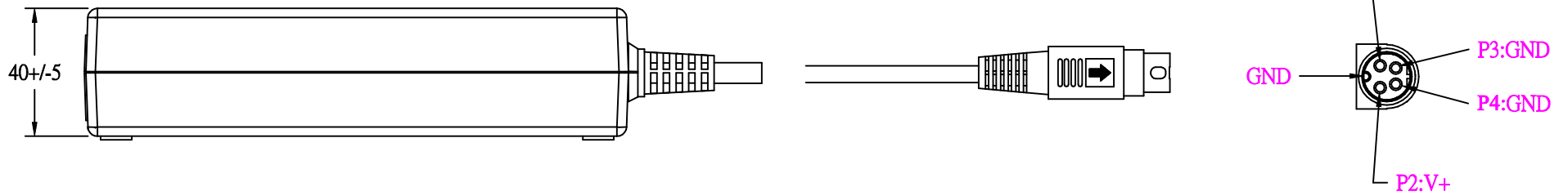
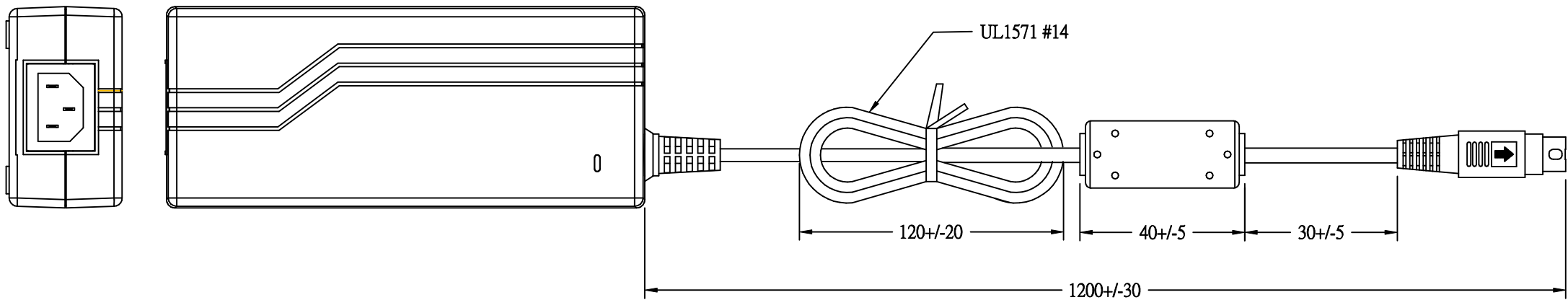
**EA1180** series



- Features:
- ☑ Economy Type
- ☑ CEC Efficiency Regulations Compliance(Optional)
- ☑ RoHS Compliance
- ☑ IEC320 C14 ( 3PIN)
- ☑ Over Voltage Protective Installation
- ☑ Over Current Protective Installation
- ☑ Protection Type: Latch-off
- ☑ Application: POS,LCD, Printer,IT, Scanner,NB...

**SPECIFICATION**

Model	EA11801A-120	EA11801B-120	EA11801C-180	EA11801D-180	EA11801E-190	EA11801F-190	EA11801G-200	EA11801H-200	EA11801M-240	EA11801N-240
Output Voltage	12V	12V	18V	18V	19V	19V	20V	20V	24V	24V
Output Rating (Max.)	150W	130W	170W	150W	180W	150W	180W	150W	180W	150W
Output Current (Max.)	12.5A	10.83A	9.47A	8.33A	9.47A	7.89A	9.0A	7.5A	7.5A	6.25A
Input Voltage (Limit)	AC 90~264V									
Input Frequency	47~63Hz									
Line Regulation	1% Max.									
Load Regulation	+/- 5%									
Ripple & Noise	1.5% Max.									
Efficiency	85% Typical	85% Typical	85% Typical	85% Typical	85% Typical	85% Typical	85% Typical	85% Typical	85% Typical	85% Typical
Over Voltage Protection	Yes									
Over Current Protection	Yes									
Operating Temperature	0~40°C									
Storage Temperature	-20°C~85°C									
Class or Class	Class									
Safety Standards	<b>UL60950-1, EN60950-1, IEC60950-1</b>									
Safety(1)/EMC	UL/CUL,TUV,CE,FCC,CB									
Safety(2)/EMC	CEC	CEC	CEC	CEC	CEC	CEC	CEC	CEC	CEC	CEC
Safety Standards	<b>UL60065, EN60065, IEC60065</b>									
Safety/EMC	UL/CUL,TUV,FCC,CB									
MTBF	50,000 hours									
LED Indication	Yes									
Dimension	170L x72W x 41.5H mm									
Approx. Weight	820 grams									
Standard Plug	Optional									



EDAC POWER ELEC.				APPROVED
MODEL	EA11801F(02)	UNIT	mm	DESIGNED
color	BLACK	SCALE		CHECK
cus.		DATE	2008-12-10	DRAWING L.J.YU