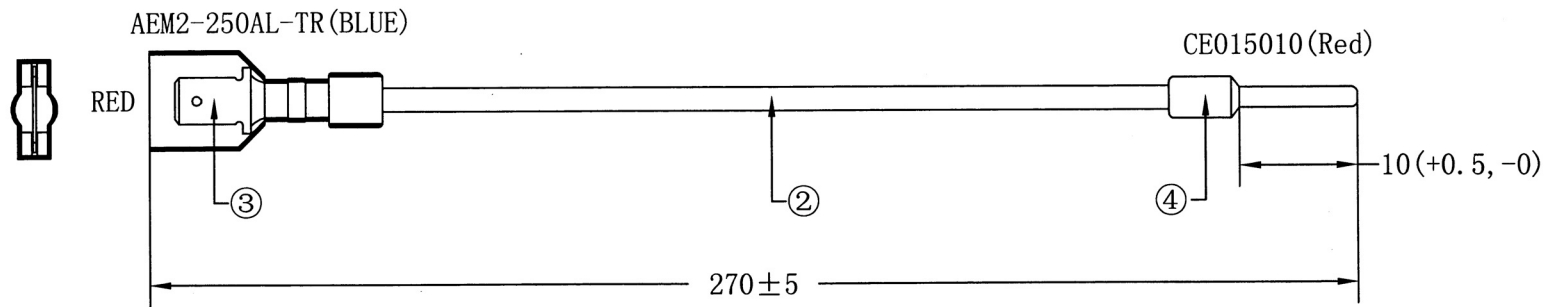
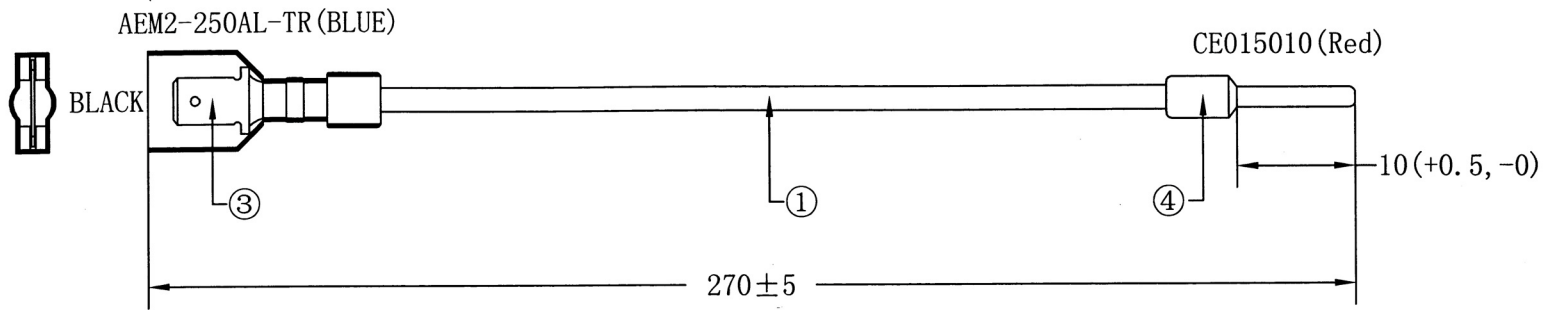


Version	Change abstract	Date
---------	-----------------	------



④	TERMINAL	CE015010 (Red)	2PCS	FS
③	TERMINAL	AEM2-250AL-TR (BLUE)	2PCS	FS
②	WIRE:UL1007 16AWG (26/0.25) 80°C 300V (OD2.40) RED	-	1PCS	SX/CT
①	WIRE:UL1007 16AWG (26/0.25) 80°C 300V (OD2.40) BLACK	-	1PCS	SX/CT

