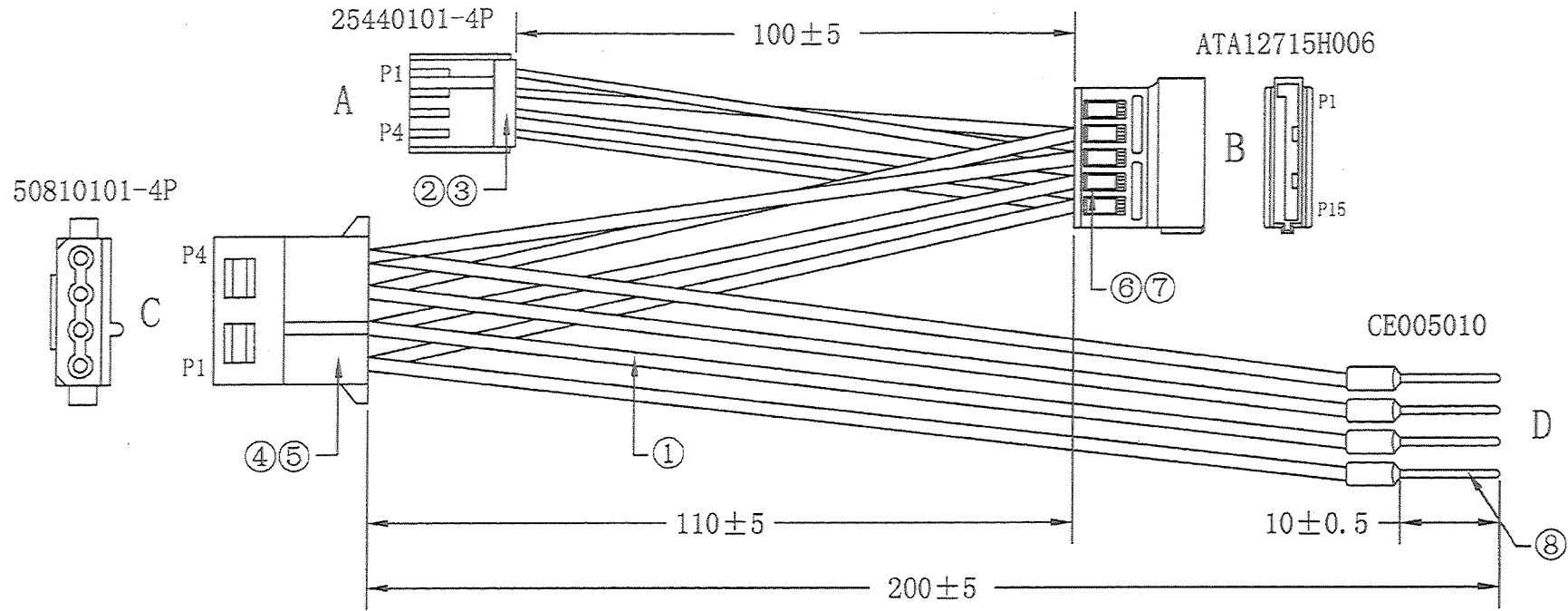


ROHS

Version	Change abstract	Date



A---Pin---B-----Pin---C-----Pin---D  
P1---Red---P7、8、9---Red---P4---Red---CE005010  
P2---Black---P4、5、6---Black---P3---Black---CE005010  
P3---Black---P10、11、12---Black---P2---Black---CE005010  
P4---Yellow---P13、14、15---Yellow---P1---Yellow---CE005010

**WWW.MINI-BOX.COM**

⑧	TERMINAL	CE005010	4PCS	ZYD
⑦	TERMINAL	ATA127T011	4PCS	SY
⑥	HOUSING	ATA12715H006	1PCS	SY
⑤	TERMINAL	50810301-T	4PCS	CKM
④	HOUSING	50810101-4P	1PCS	CKM
③	TERMINAL	25440301-T	4PCS	CKM
②	HOUSING	25440101-4P	1PCS	CKM
①	WIRE:UL1007 20AWG (26/0.16) 80°C 300V (OD1.80)	-	12PCS	SX/CT
Serial number	Commodity noem specification	Part No.	Unit amount used	Manufacturers

Customer	mini-box.com	Document number	080701-01
Machine kind		Version	A
Spec.		Unit	MM
Part No.		Date	2008-07-01
Confirmation		Audit	Designer