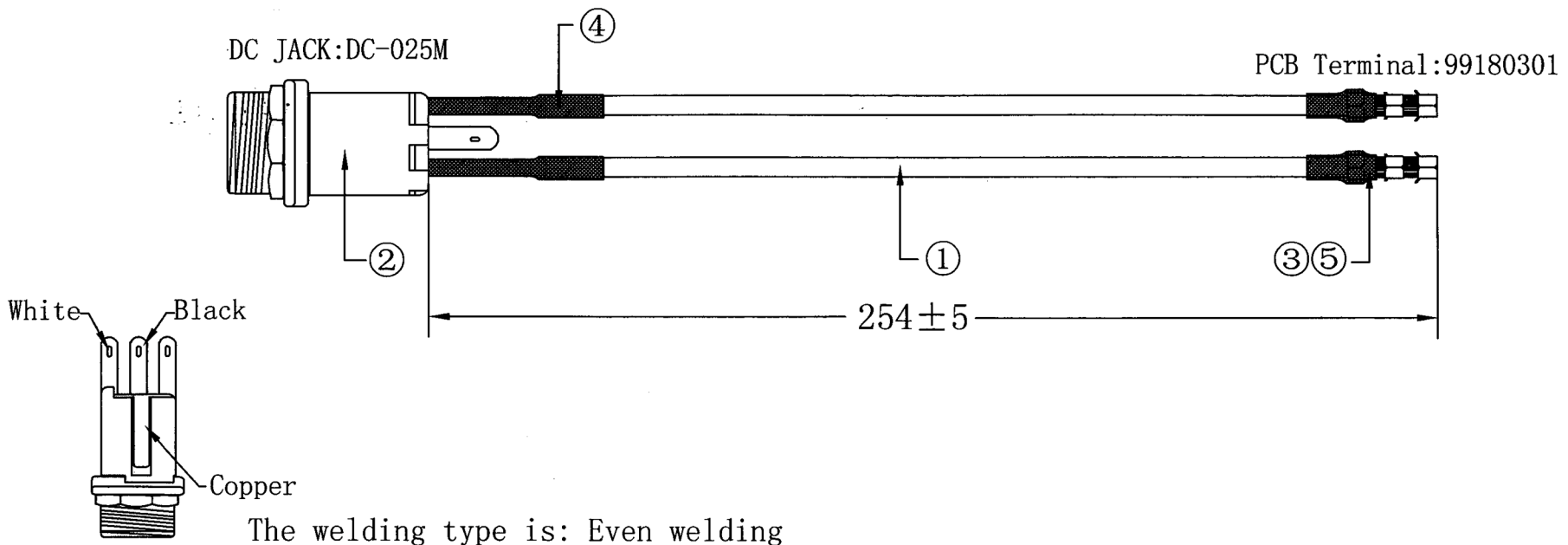


ROHS

Version	Change abstract	Date
A	OD is been covered by tin	2007-11-14
B	Add PCB terminal at end of the wire.	2007-12-05



⑤	TUBE:Ø3.0*10(Black)	—	2PCS	CY	Customer	Document number	071211-08			
④	TUBE:Ø3.0*20(Black)	—	2PCS	CY						
③	PCB TERMINAL	99180301	2PCS	CKM				Model Name	Version	C
②	DC JACK	DC-025M	1PCS	CJB						
①	WIRE:UL1007 18AWG(41/0.16) 80°C 300V (OD2.00)	—	2PCS	SX/CT				Spec.	DC JACK TO PCB Terminal	Units
Item	Description	Part No.	Qty	Manufac tory	Part No.	56-1202-0011D+	Date	2007-12-11		
					Approval		Check	Prepare		