



DYNATRON CORPORATION

TOP MOTOR TECHNOLOGY(HUIZHOU)CO,LTD

Specification for Approval

Customer:		
Model Number:	DF124010PM-3/4G (40*40*10)	
Part Number:		
Issued Date:	Thursday, June 18, 2009	
Customer Approval		
Approval:	Check:	
Corporate Headquarters Dynatron Corporation 42307 Osgood Road, #F, Fremont, California 94539, U.S.A. Tel: 510-498-8888 Fax: 510-498-8488	Manufactory TOP MOTOR TECHNOLOGY(HUIZHOU)CO,LTD Baishi Village, Qiuchang Town, Huiyang Dist, Huizhou City, Guangdong Province, P.R. China Tel: 86-752-353-5591 (Rep.) Fax: 86-752-353-5592	
Los Angeles Office (U.S.A.) 337 Paseo Sonrisa, Walnut, California 91789 U.S.A. Tel: 909-598-2222 Fax: 909-598-8158	Taipei Office (Taiwan, R.O.C.) 8F, No. 35, Lane:221, Gang Cian Road, Taipei, Taiwan, R.O.C. Tel: 886-2-2799-5799(Rep.) Fax: 886-2-2799-9577	
Approval:	Check:	Initiator:
Simon_wang	-	Lian xiaohu



DYNATRON CORPORATION

TOP MOTOR TECHNOLOGY(HUIZHOU)CO,LTD

CONTENTS

	Page
1. SCOPE	3
2. ELECTRICAL CHARACTERISTICS	3
3. MECHANICAL CHARACTERISTICS	4
4. ENVIRONMENTAL	4
5. PROTECTION	5
6. ATTACHMENTS	5
a. Product Dimension	6
b. Frequency Generator Output	7
c. TUV Certificate	8
d. UL Certificate	9-10



DYNATRON CORPORATION

TOP MOTOR TECHNOLOGY(HUIZHOU)CO,LTD

TOP MOTOR
1. SCOPE

This specification defines the electrical and mechanical characteristics of the

AC / DC Brush less(Sleeve Bearing/ 1-Ball Bearing / 2-Balls

Bearing) axial flow fan, which is carefully designed and manufactured for your special needs by Dynatron Corporation.

2. ELECTRICAL CHARACTERISTICS

Items		Description
1.	Rated Voltage	DC 12 V
2.	Start Voltage	DC 7 V
3.	Operating Voltage	10.8V-13.2V
4.	Air Flow – At rated voltage zero static pressure (minimal value)	0.10 m ³ / min (3.45CFM)
5.	Static Pressure – At rated voltage At zero air flow	1.86 mm-H ₂ O (0.07 inch-H ₂ O)
6.	Input Current	0.08A (Max.)
7.	Input Power	0.96W
8.	Insulation Resistance – Between Frame and Terminal	10 M ohm at DC 500 V
9.	Dielectric Strength – Between Frame and Terminal	5 mA (Max.) @ AC 500 V 60 Hz 1 min.
10.	Speed	4500rpm ± 10 %
11.	Life – Continuous operating under normal temperature (25 °C or 77 °F)	35,000 hours
12.	Rotation	Clockwise Air Discharged
13.	Lead Wires	UL 1007, awg 28or Equivalent “-”: Black; “+”: Red;”S”:White.
14.	Acoustical Noise	23.4dBA



DYNATRON CORPORATION

TOP MOTOR

TOP MOTOR TECHNOLOGY(HUIZHOU)CO,LTD

3. MECHANICAL CHARACTERISTICS

Items		Description
1.	Dimension	Display as Drawing
2.	Frame	PBT UL94V-0 (Black GP)
3.	Impeller	PBT UL94V-0 (Black GP)
4.	Bearing System	One ball Bearing
5.	Weight	15.5±5grams

4. ENVIRONMENTAL

Items		Description
1.	Operating Temperature	- 10 °C ~ + 65 °C (65 %RH)
2.	Storage Temperature	- 30 °C ~ + 70 °C (65 %RH)
3.	Vibration Test	Displacement Amplitude: 0.75mm(Equivalent 10G) Frequency Range:10Hz<->55Hz/30SEC. Linear Scanning 120 Cycle Endurance Timer Per Axis:30Min. Orientation:X,Y,Z.
4.	Drop Test	Motor withstands one free body drop from 30 cm in high onto 10 mm thickness of wooden board for each of the three faces in minimum packing condition.
5.	Acoustic Noise	23.4dBA – Curve (Max 23.9dBA) Measuring Condition – Under rated voltage in semi-anechoic chamber equipment sound level meter. (Figure A.)

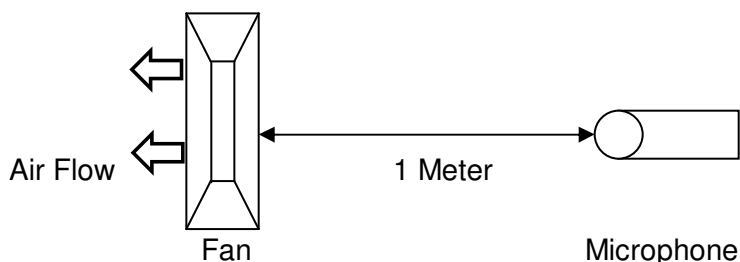


Figure A – Noise Level is measure at rated voltage in anechoic chamber in free air as above.



TOP MOTOR

DYNATRON CORPORATION

TOP MOTOR TECHNOLOGY(HUIZHOU)CO,LTD

5. PROTECTION

Items		Description
1.	Locked Rotor Protection	Motor winding protects the motor from damage in 72 hours of locked rotor condition at rated voltage.

6. ATTACHMENTS

- a. Product Dimension
- b. Frequency Generator Output
- c. TUV Certificate
- d. UL Certificate
- e. SGS

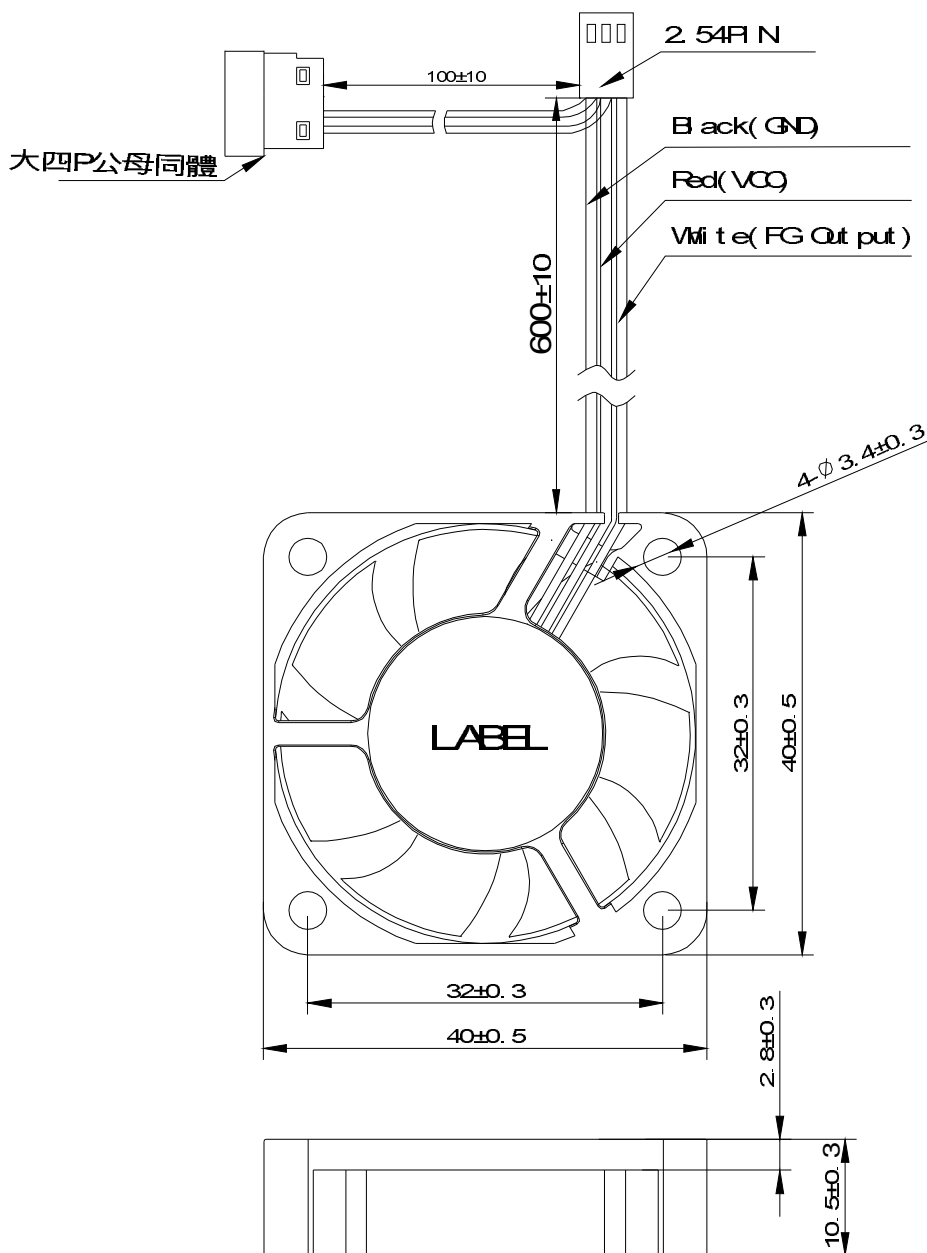


DYNATRON CORPORATION

TOP MOTOR

TOP MOTOR TECHNOLOGY(HUIZHOU)CO,LTD

DIMENSIONS



UNIT: MM

1, LEAD WIRE 1007 28AWG 80°C 300V UL, CSA APPROVAL

	DF124010XX	Tolerance	V de Supra	Approval	Winghui
		Unit	mm	Check	Cai chao
		Edition	1.0	Initiator	Xiao hu
Drawing Type	Dimensions	Remark		Date	2008.11.24



DYNATRON CORPORATION

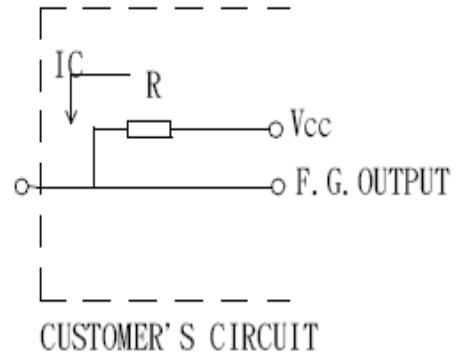
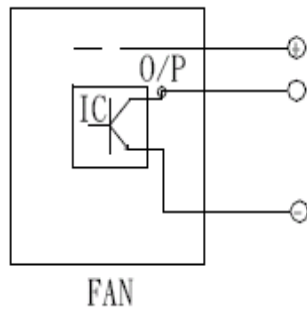
TOP MOTOR TECHNOLOGY(HUIZHOU)CO,LTD

FREQUENCY GENERATOR OUTPUT(Tack Out)

3rd Wire Square Wave Signal is Amplified by a transistor (open collector type)

Frequency generator function is activated by an internal IC for customer's application.

Electrical schematic:



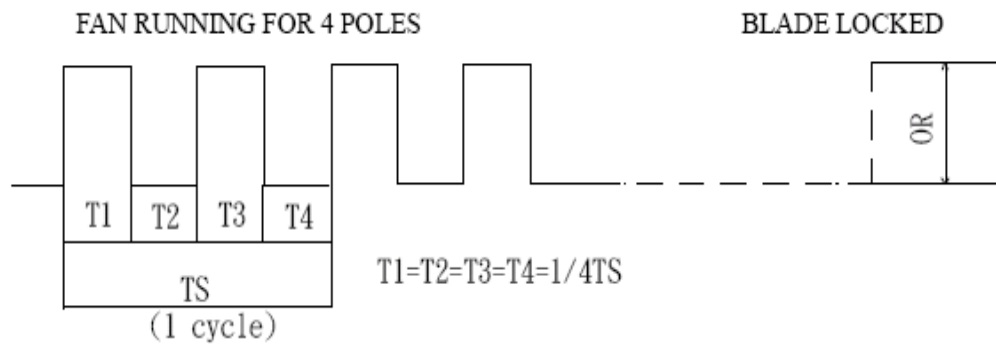
CUSTOMER'S CIRCUIT

Vcc=From+5 To+28 VDC(Generally using+12or+24 VDC)

Ic=2mA max.

$R=V/I$ (OUTPUT "R" value calculation)

Frequency generator waveform:



$TS=60/N$ (sec)

N=R.P.M. (Rotation speed will be different by various model L/M/H)



TOP MOTOR

DYNATRON CORPORATION

TOP MOTOR TECHNOLOGY(HUIZHOU)CO,LTD

Zertifikat

Certificate



Zertifikat Nr. Certificate No. R 50064443
Blatt Page 0007

Ihr Zeichen Client Reference	Unser Zeichen Our Reference	Ausstellungsdatum Date of Issue (day/mo/yr)
12046290/LC Tech	ZTW1-CCO- 10013649 006	07.05.2007

Genehmigungsinhaber License Holder
 Dynaeon Industrial Co., Ltd.
 8F, No. 35, 37, Lane 221
 Gang Cian Rd.
 Neihu, Taipei 114
 Taiwan, R.O.C.

Fertigungsstätte Manufacturing Plant
 Dynaeon Ind. Co., Ltd.
 Ta-Li Management Zone
 Ching-Hsi, Dongguan
 P.R. China

Prüfzeichen Test Mark

Geprüft nach Tested acc. to EN 60950-1:2001+A11



Zertifiziertes Produkt (Geräteidentifikation)
 Certified Product (Product Identification)

Lizenzentgelte - Einheit License Fee - Unit

Ventilator (DC Fan)

wie Blatt (as page) 01
Ergänzung (Addition)

Bezeichnung : DF(X1)(X2)(X3)(X4)(X5)ZZZZZ-(X6)
(Type Designation)

(X1) steht für (stands for): 05, 12, 24	
(X2) steht für (stands for): 12, 14, 15, 25, 40, 50, 60, 70, 77, 80, 92	1
(X3) steht für (stands for): 10, 15, 20, 25, 28	1
(X4) steht für (stands for): S, B, P, Q	
(X5) steht für (stands for): U, H, M, L, E	
(X6) steht für (stands for): A, B, C, D	1
Z steht für (stands for): A-Z, 0-9 oder (or) freibleibend (blank)	

Nennspannung : DC 5V ((X1)= 05); DC 12V ((X1)= 12);
 (Rated Voltage) DC 24V ((X1)= 24)
 Nennstrom : siehe Anlage
 (Rated Current) (see appendix)

ANLAGE (Appendix): 1

Dem Zertifikat liegt unsere Prüf- und Zertifizierungsordnung zugrunde. Das Produkt entspricht den o.g. Anforderungen, die Herstellung wird überwacht. This certificate is based on our Testing and Certification Regulation. The product fulfills above mentioned requirements, the production is subject to surveillance.



Zertifizierungsstelle

TÜV Rheinland Product Safety GmbH, Am Grauen Stein, D-51105 Köln
Tel.: (+49/221)8 06 - 13 71 e-mail: cert-validity@de.tuv.com
Fax: (+49/221)8 06 - 39 35 http://www.tuv.com/safety

Dipl.-Ing. F. Stöckel



DYNATRON CORPORATION

TOP MOTOR

TOP MOTOR TECHNOLOGY(HUIZHOU)CO,LTD



ONLINE CERTIFICATIONS DIRECTORY

GPVV2.E157868 Fans, Electric - Component

Page Bottom

Fans, Electric - Component

See General Information for Fans, Electric - Component

DYNAEON INDUSTRIAL CO LTD
8TH FL 35 LANE 221 GANGCIAN RD
NEIHU DIST
TAIPEI, 114 TAIWAN

E157868

DC Fans, Models D(F)1206(Z)(Y1)(X1), D(F)1207(Z)(Y1)(X1), where (F) may be F or C; (Z) may be SH, BH, BA, SM, BM, BB, SL, BL, BC, SD, BE, BF, SG, BI, BJ, SK, BN, BO, SP, BQ, BR, SS, BT, BU, SV, BW, BX, SY, BY or BZ; (Y1) may be "-", 0 through 9 or A through Z; (X1) may be 0 through 9 or A through Z.

Models DF248015(S)(X)(Y)(Z)(W), DF488015(S)(X)(Y)(Z)(W), where (S) may be S, B or P; (X) may be U, H, M or L; (Y) and (Z) may be any alphanumeric character, blank, "-" or any symbol; (W) may be seven any alphanumeric character, blank, "-" or any symbol.

DC Fans, Models DF121225(A)(B)(C), DF121225(A)E(C), DF241225(A)(B)(C), DF128015(A)U(C), DF128015(A)(B)(C), DF128025(A)U(C), DF128025(A)(B)(C), DF128025(A)E(C), DF248025(A)U(C), DF248025(A)(B)(C), DF129225(A)(B)(C), DF129225(A)E(C), DF249225(A)U(C), DF249225(A)(B)(C), DF126010(A)(B)(C), DF246025(A)U(C), DF246025(A)(B)(C), DF126025(A)U(C), DF126025(A)(B)(C), DF126025(A)E(C), DB126015BU(C), DB126015B(B)(C), DF123010(A)(B)(C), DF053010(A)(B)(C), DF127015(A)U(C), DF127015(A)(B)(C), DF245010(A)(B)(C), where (A) may be S, B, P or Q; (B) may be H, M or L; (C) may be xxxxxxxx, where x may be A through Z, 0 through 9, "-" or blank.

Electric fans, Models DC0504, -1204, -1205, -1206, DF1204, -1208, -2408, -0504, -0505, -1205, -2406 followed by "S" or "B", followed by two alphanumeric characters.

Low voltage fans, Models DB1206, DF1209, -1212, -2409, DH1204 followed by B or S, followed by two alphanumeric characters.

DC fans, Models DF122510(X)(Y2)(Z)-(M), DF124020(X)(Y2)(Z)-(M), DF244020(X)(Y1)(Z)-(M), DF126025(X)(Y3)(Z)-(M), DF246025(X)(Y3)(Z)-(M), DF121225(X)(Y1)(Z)-(M), DF124028(X)(Y3)(Z)-(M), where (X) may be S, B, P, Q; (Y1) may be H, M or L; (Y2) may be U, H, M or L; (Y3) may be U, H, M, L or E; (Z) is alphanumeric combination of five digits and/or alphabets, may be A through Z, 0 through 9 or blank; (M) may be A or B.

DC fans Models DF054010(X)(Y2)(Z1)(Z2)-A, DF054010(X)L(Z1)(Z2)-B, DF124010(X)(Y2)(Z1)(Z2)-A, DF124010(X)L(Z1)(Z2)-B, DF244010(X)(Y2)(Z1)(Z2)-A, DF125015(X)(Y1)(Z1)(Z2)-A, DF125020(X)(Y3)(Z1)(Z2)-A, DF126015(X)(Y1)(Z1)(Z2)-A, DF246015(X)M(Z1)(Z2)-A, DF246015(X)L(Z1)(Z2)-A, DF128020(X)(Y1)(Z1)(Z2)-A, DF128020(X)L(Z1)(Z2)-B and DB127015(X)(Y2)(Z1)-A series, where (X) may be S, B, P, Q; (Y1) may be H, M or L; (Y2) may be U, H, M or L; (Y3) may be H, M, L or E; (Z1) may be blank or 3; (Z2) is alphanumeric combination of four digits and/or alphabets, may be A through Z, 0 through 9 or blank; (Z) is alphanumeric combination of five digits and/or alphabets, may be A through Z, 0 through 9 or blank.

Models DF125010(X)(Y)(Z)-A, DF126020(X)(Y)(Z)-A, DF246020(X)(Y)(Z)-A, DF121525(X)(Y1)(Z)-A and DF121525(X)(Y2)(Z)-B series, Where (X) may be S, B, P or Q; (Y) may be H, M or L; (Y1) may be U, H or M; (Y2) may be L or E; (Z) is alphanumeric combination of five digits and/or alphabets, may be A through Z, 0 through 9 or blank.

Models DF128025(X)(a)(Y)-A, DF121225(X)(b)(Y)-C, DF121225(X)E(Y)-C, DF127720(X)(a)(Y)-A, DF121425(X)(c)(Y)-A, DF126010(X)E(Y)-A series, where (X) may be S, B, P, Q, (a) may be H, M, L or E, (b) may be M or L, (c) may be U, H, M, L or E, (Y) is alphanumeric combination of five digits and/or alphabets, may be A through Z, 0 through 9 or blank.

DC component fans, Models DF054010(X)(Y1)(Z1)(Z2)-C, DF124010(X)(Y2)(Z1)(Z2)-C, DF244010(X)(Y2)(Z1)(Z2)-C, DF124020BU(Z1)(Z2)-C, DF124020(X)(Y1)(Z1)(Z2)-C, DF124028BU(Z1)(Z2)-C, DF124028(X)(Y1)(Z1)(Z2)-C, DF126025BU(Z1)(Z2)-C, DF126025(X)(Y1)(Z1)(Z2)-C, DF127015BU(Z1)(Z2)-A, DF127015(X)(Y1)(Z1)(Z2)-A, DF128025BU(Z1)(Z2)-B, DF128025(X)(Y1)(Z1)(Z2)-B, DF129225BU(Z1)(Z2)-A, DF129225(X)(Y1)(Z1)(Z2)-A, DF121225BU(Z1)(Z2)-D, DF121225(X)(Y1)(Z1)(Z2)-D, DF121425(X)(Y1)(Z1)(Z2)-B, DB127015BU(Z1)(Z2)-B, DB127015(X)(Y1)(Z1)(Z2)-B, DB058015(X)(Y3)(Z1)(Z2)-A, where (X) may be S, B, P or Q, where (Y1) may be H, M, L or E, where (Y2) may be U, H, M, L or E, where (Y3) may be M or L, where (Z1) may be blank or 3, where (Z2) may be alphanumeric combination of four digits and/or alphabets, may be A through Z, 0 through 9 or blank.



DYNATRON CORPORATION

TOP MOTOR TECHNOLOGY(HUIZHOU)CO,LTD



Marking: Company name or trademark TOP MOTOR, model designation and Recognized Component Mark for Canada,

Last Updated on 2007-05-29

[Questions?](#)

[Notice of Disclaimer](#)

[Page Top](#)

[Copyright © 2007 Underwriters Laboratories Inc. ®](#)

The appearance of a company's name or product in this database does not in itself assure that products so identified have been manufactured under UL's Follow-Up Service. Only those products bearing the UL Mark should be considered to be Listed and covered under UL's Follow-Up Service. Always look for the Mark on the product.

UL permits the reproduction of the material contained in the Online Certification Directory subject to the following conditions: 1. The Guide Information, Designs and/or Listings (files) must be presented in their entirety and in a non-misleading manner, without any manipulation of the data (or drawings). 2. The statement "Reprinted from the Online Certifications Directory with permission from Underwriters Laboratories Inc." must appear adjacent to the extracted material. In addition, the reprinted material must include a copyright notice in the following format: "Copyright © 2007 Underwriters Laboratories Inc.®"

An independent organization working for a safer world with integrity, precision and knowledge.

