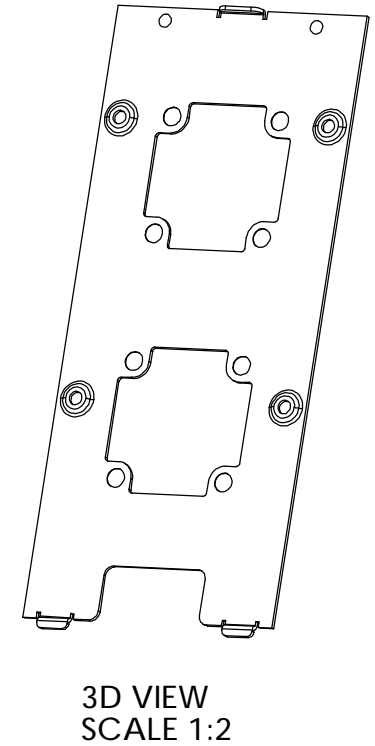
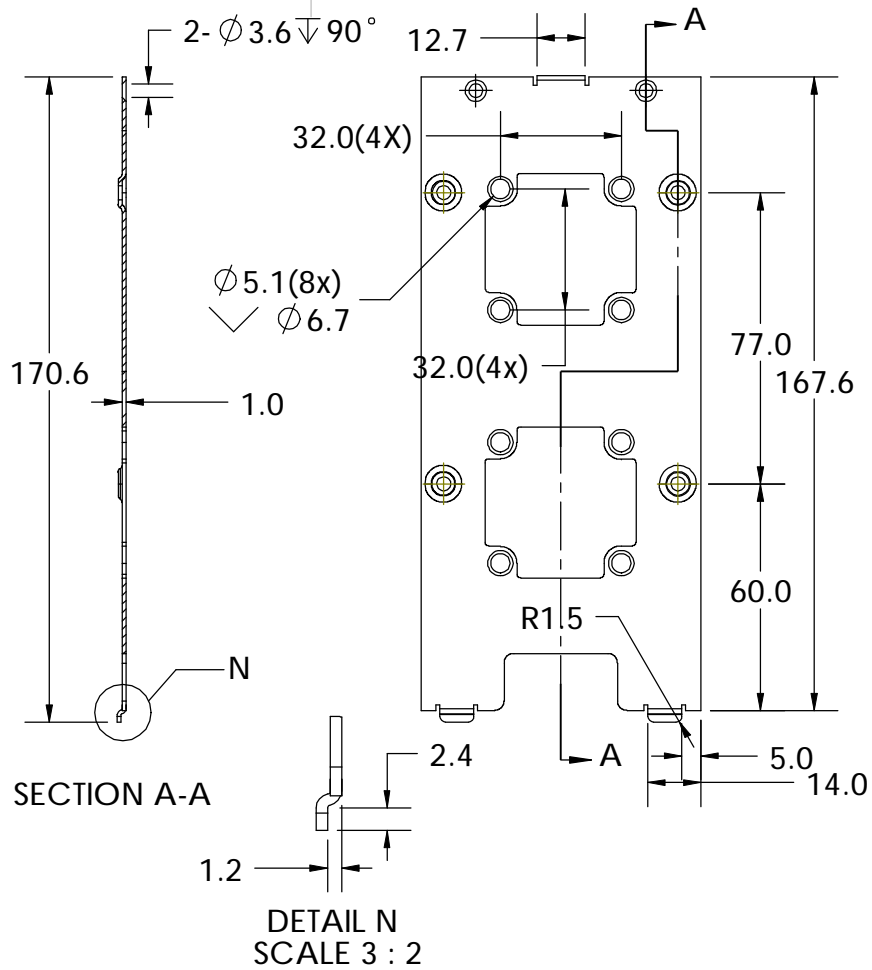


NOTE:
 1.MATERIAL: 1.0 mm ELECTRO GALVANIZED STEEL
 2.FINISH: POWDER COAT BLACK (TIGER#:29/80430)
 3.REMOVE ALL BURRS AND SHARP EDGES
 4.MISS DIMENSIONS PLEASE REFERENCE TO 3D FILE



DIMENSIONS ARE IN mm UNLESS OTHERWISE SPECIFIED		DRAWN Jack_Ye	DATE 09-02-07
TOLERANCES		CHECKED Alex	09-02-07
0 PLACE DECIMAL	± .50	APPROVED	
1 PLACE DECIMAL	± .20	RELEASED	
2 PLACE DECIMAL	± .10		
ANGULAR	± 30'		
MATERIAL	SEE NOTE 1	TITLE:	
PROJECTION		mini box Disk_Brkt	
FINISH	SEE NOTE 2		
DO NOT SCALE DRAWING			
SIZE	A4	DWG NO MMA_E-MINIBOXDB_UUC_F	REV D
SCALE	1:2	SHEET	1 OF 1