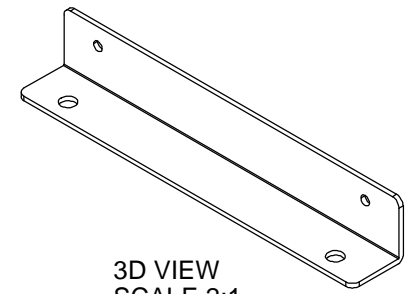
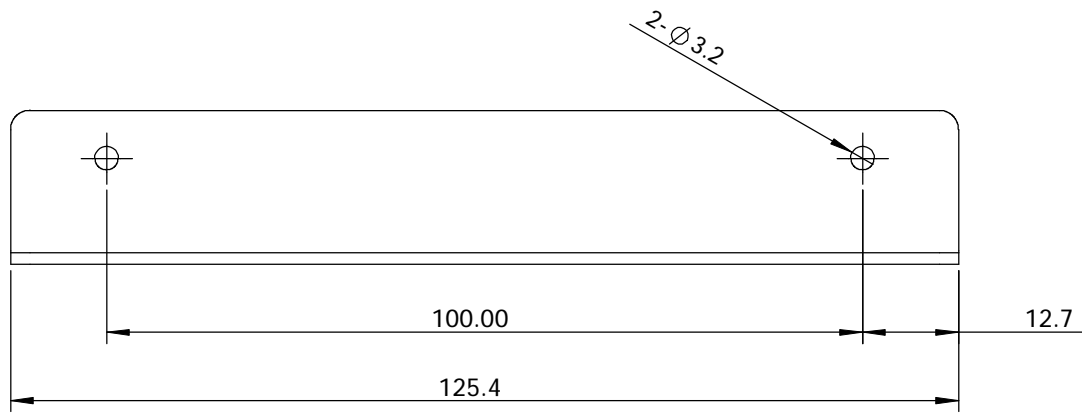


1 2 3 4 5 6

A

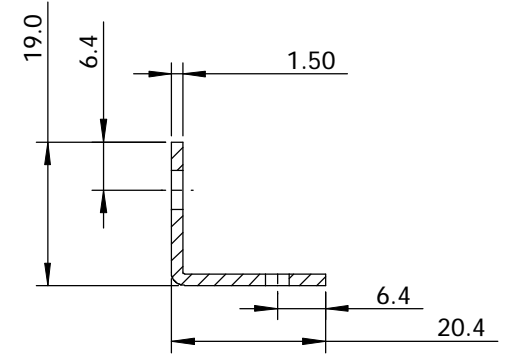
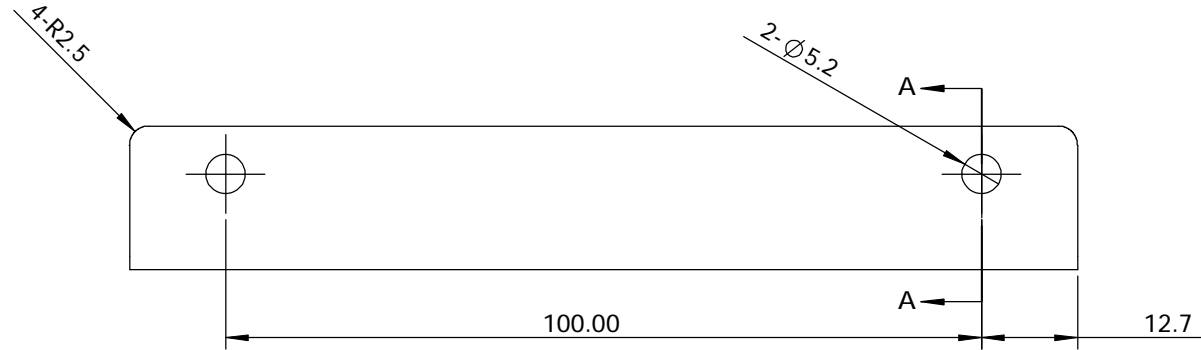
A



3D VIEW
SCALE 2:1

B

B



SECTION A-A

C

NOTE:
 1.MATERIAL: 1.5 mm ELECTRO GALVANIZED STEEL
 2.FINISH: POWDER COAT BLACK (TIGER#:29/80430)
 3.REMOVE ALL BURRS AND SHARP EDGES.
 4.ALL MISSING DIMENSIONS PLS REFER TO CAD MODEL.

DIMENSIONS ARE IN mm UNLESS OTHERWISE SPECIFIED		DRAWN Tao	DATE 08-11-08
TOLERANCES		CHECKED Alex	08-11-08
0 PLACE DECIMAL ± .50		APPROVED	
1 PLACE DECIMAL ± .20		RELEASED	
2 PLACE DECIMAL ± .10			
ANGULAR ± 30'			
MATERIAL	SEE NOTE 1		
PROJECTION			
FINISH	SEE NOTE 2		
DO NOT SCALE DRAWING			

TITLE:

mini box L-Brkt

SIZE A4	DWG NO MMA_E-MINIBOXLB_UUC_F	REV B
SCALE 1:1	SHEET 1 OF 1	

1 2

D