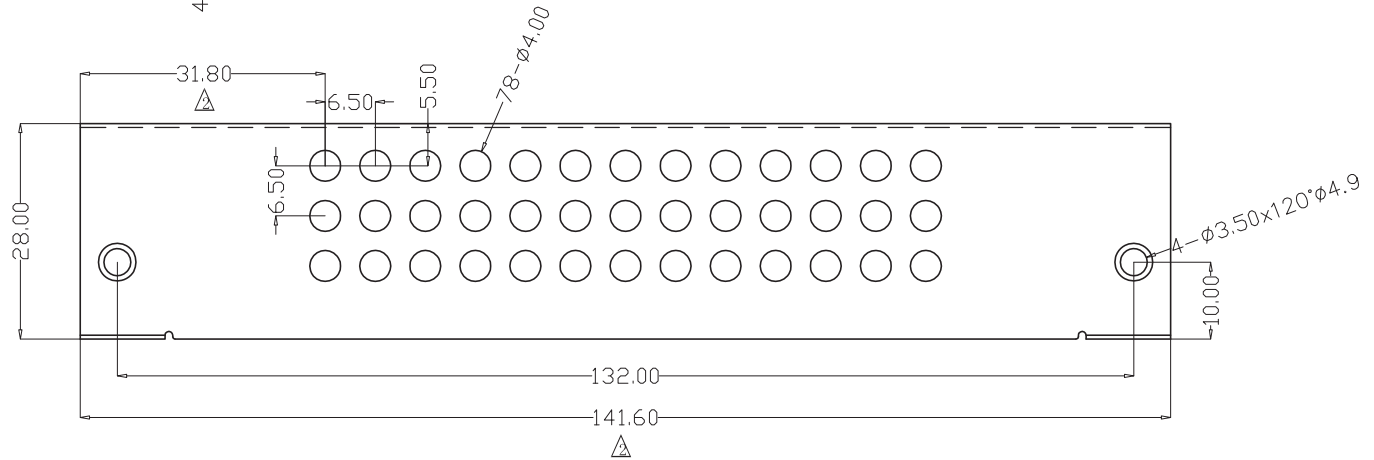
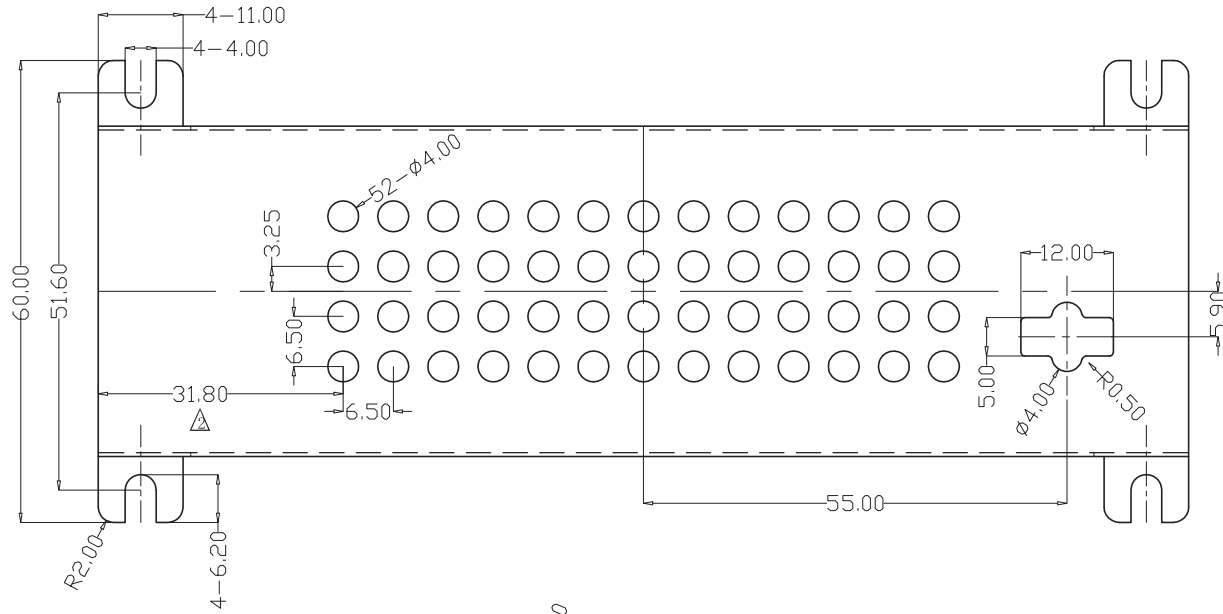
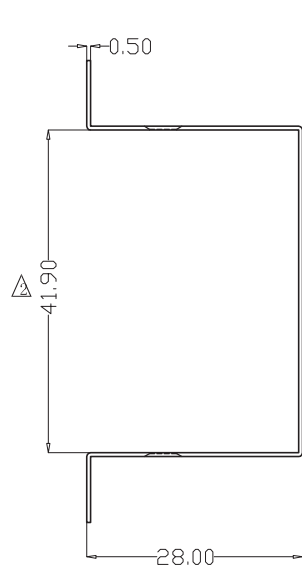


PART NO: DC-POWER-BOX (BASE)		DESIGN 2010.07.05	EXAMINE
DWG NO:	MATERIAL SECC	CRAFT	APPD
PAGE NO: 1/1	THICKNESS 0.8	Ituner Networks Corp	
	SCALE NO		



PART NO: DC-POWER-BOX (COVER)		DESIGN	EXAMINE
DWG NO:	MATERIAL SECC	CRAFT	APPD
PAGE NO: 1/1	THICKNESS 0.5	Ituner Networks Corp	
	SCALE NO		