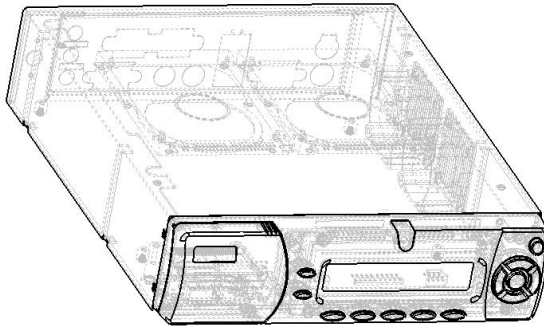


# M200/M300 mini-ITX Enclosure

## Mini-ITX Embedded Enclosure

### Installation Guide

Version 1.01  
P/N M200-eng-01



#### **Before you start...**

Please take a moment and read this manual before you start assembling this enclosure. Often times, rushing into unit installation can result in damage to your enclosure, motherboard, power supply

**Warning:** The M-200/ M300 has been designed for embedded installations and it has a limited assembly / disassembly cycles

. Close the top lid only when done with your installation. Damage to the side clips might occur if enclosure is not properly serviced.

## 1.0 Introduction

Thank you for purchasing the M-200/M300 mini-ITX embedded enclosure!

The M200 / M300 was designed to work with a wide variety of main boards such as the VIA mini-ITX boards as well as low power Pentium-M / Core Duo. Please note that powering full power P4 or AMD systems is not recommended due to excessive heat dissipation. If using processors with TPD of 40 watts or more, please add an extra 40x40mm fan for increased air circulation.

## 2.0 Required tools

In order to install the M200 / M300 you will need the a Phillips screwdriver.

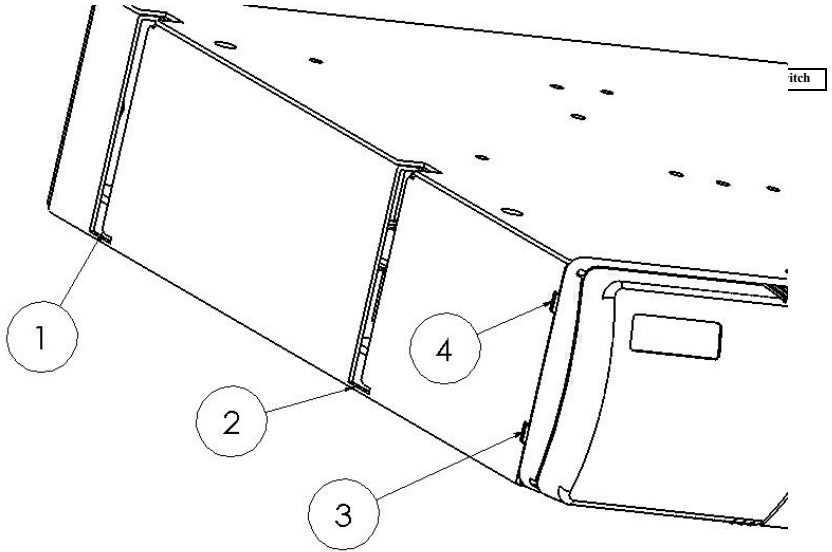


Figure 1.0, M200/M300 fastening system

### 3.0 M200 / M300 top lid

Depending on your purchasing options, the M200 / M300 enclosure might or might be delivered already fastened. **Please pay special attention to the top lid fastening mechanism.**

#### 3.1 Removing the top lid

1) If top lid is latched, first un-latch the bezel pins, see figure 1.0, plastic hooks 3 and 4. To un-snap the plastic hooks, start with the left side hooks first. Gently push front plastic front bezel to the right. The hooks will clear the top lid slots. Gently pull the front plastic bezel towards you, until hooks clear the slots. Repeat this step for the right side hooks, pushing the plastic front bezel to the left side.

2) Slide the top lid away from front bezel. Please note latch #1 and #2. Top lid has 4 metal hooks that slide back/forth in the latch #1 and #2.

3) After top lid has been pushed back for ½ inch, gently pull the top lid up. Slight up/down rocking might be necessary so that the top lid will clear the latch grooves #1 and #2.

#### 4.0 Installation steps

1) Install back I/O motherboard shield. NOTE: This shield is not part of the M200 / M300 enclosure, it is usually delivered by the motherboard manufacturer.

2) If not already installed, fasten the USB board to the enclosure using two M3 screws. See Figure 1.1. Use the flat ribbon 2x5 IDC connector to connect to the internal M/B header. Please note that if connector is installed backwards into the motherboard header, the M/B might not be able to start or the front USB connector will malfunction. Simple re-install the header in the opposite direction and the system will be OK.

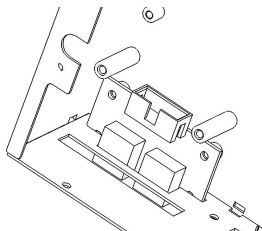


Figure 1.1, USB board

3) If not already installed, fasten the Compact-Flash IDE adapter using two M3 screws. For the M-300 enclosure, use the two hex standoff spacers in order to raise the Compact-Flash adapter to the correct level.

4) Install the motherboard on the base plate using four M3 screws.

5) If not already assembled install the plastic bezel into the main body. Snap the main bezel into place and then secure it by fastening two self-tapping screws located in the top right / left side of the plastic bezel.

2) Install the 2.5" or 3.5" hard drive(s) if necessary using 3mm undercut screws Note: The M200 does not permit the installation of a 3.5" drive. The hard drives (and any optional hardware) will be fastened into the *top mounting plate*, see figure 1.2. The service plate is a flat aluminum plate, placed under the top lid.

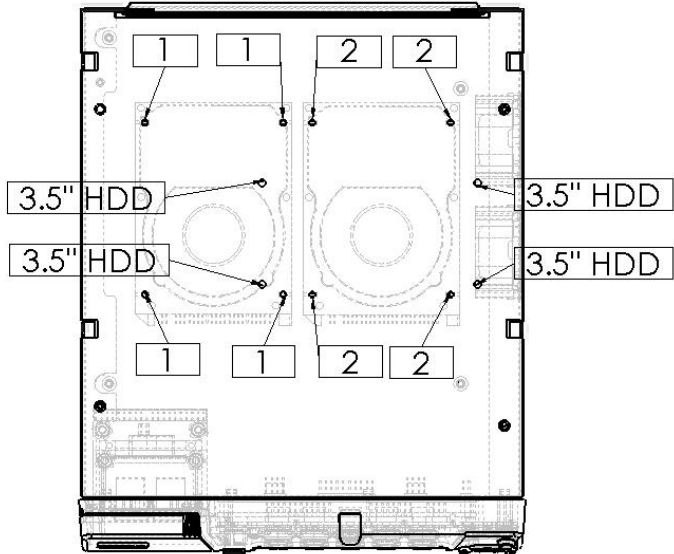


Figure 1.2. top mounting plate

For 2.5" drives, please use the holes marked with "1" and "2" respectively.

For 3.5" drives, please use the holes marked with "3"5" HDD.

Fasten the 'service plate" with four 3mm undercut screws.

3) Attach a 44-40 pin IDE cable (Optional) to the hard drive and motherboard.

4) Attach the ON/OFF switch and Power LED to the motherboard using the cable harness provided with the M200 / M300 enclosure. The power button is marked "PB" on the small PC-board that is mounted in the front bezel. The LED button is marked "KA" on the small PC-board that is mounted in the front bezel.

5) Install the power supply (optional accessory). NOTE: This enclosure has been designed to work with the picoPSU power supply series. We strongly recommend using these type of power supplies due to their compact size.

## 5.0 Support and warranty

Standard Hardware Warranty 1Year / US, 2 Year EU  
Installation support: 30days via email, support@mini-box.com.

*Additional accessories can be purchased on-line from [www.mini-box.com](http://www.mini-box.com).*